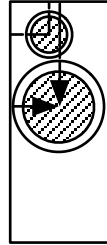


Inside Dimensions of Cabinets 1/12 v. 1	
Michigan Technological University	
Drafter: Nicole Kirch	Designer: Nicole Kirch
2/10/10 Page 1 of 5	

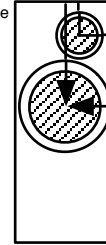
**Tweeter**

Overlap    Inner Hole  
 2.875" (2 7/8")    2.25" (2 1/4")  
 Center: 1.4375" (1 7/16")  
 Overlap depth 1/8"

L  
 Baffle  
 Front



Tweeter Center from outside edge: 2.1875" (2 3/16")  
 from top: 1.8125" (1 13/16")

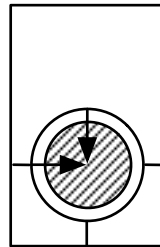


R  
 Baffle  
 Front

Woofer Center from edge: 2.93375" (2 269/288")  
 from top: 6.30875" (6 89/288")

L Side 1    R Side 2  
 Passive    Passive

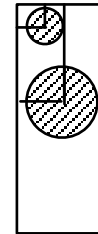
4.5" from each side to center



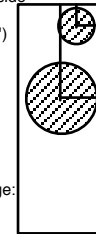
5" from base to center

Overlap 7"    Inner Hole 5.375" (5 3/8")  
 Center: 3.5"    Overlap depth 3/16"

L  
 Baffle  
 inside



Tweeter Center from outside edge: 1.8125" (1 13/16")  
 from top: 1.4375" (1 7/16")



R  
 Baffle  
 inside

Woofer Center from edge: 2.55875" (2 161/288")  
 from top: 5.93375" (5 269/288")

**Woofer**

Overlap    Inner Hole  
 5.6875" (5 11/16")    4.437" (4 7/16")  
 Center: 2.93375" (2 269/288")  
 Overlap depth 3/16"

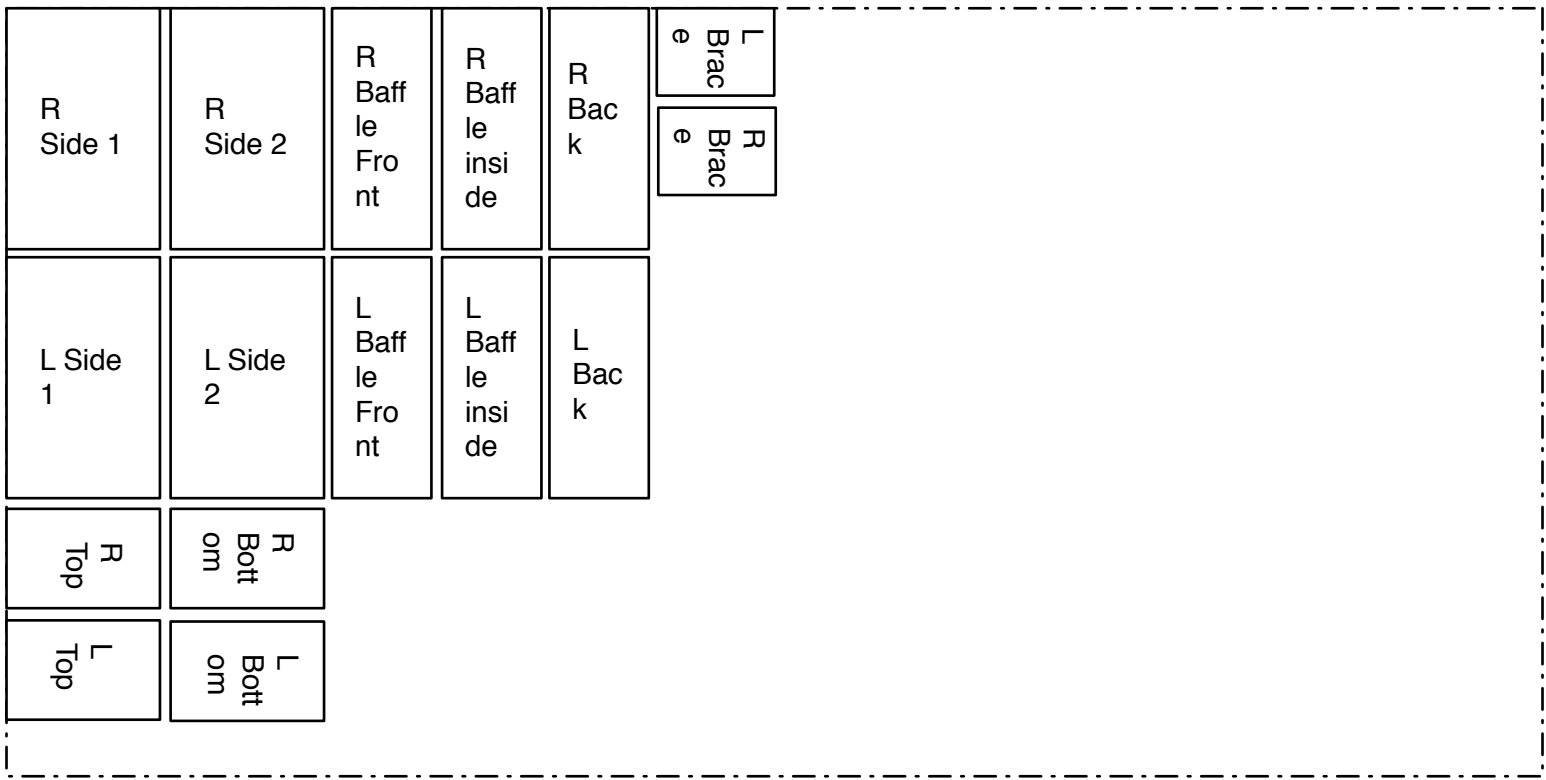
Cut Dimensions of Cabinets 1/12 v. 1

Michigan Technological University

Drafter: Nicole Kirch

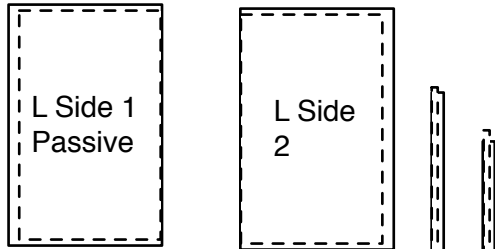
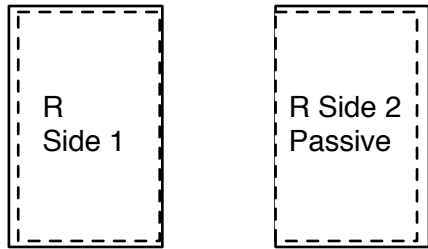
Designer: Nicole Kirch

2/11/10 Page 2 of 5



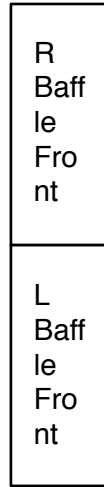
Cut Optimization 1/12 v. 1	
Michigan Technological University	
Drafter: Nicole Kirch	Designer: Nicole Kirch
2/10/10 Page 3 of 5	

9.59" x 15.06"

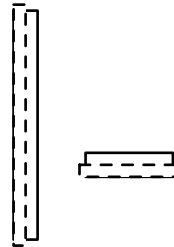


Rabett cut 3/8" x 3/4" on front, with 3/8" x 3/8" for sides, and none on back

6.21" x 15.06"



5.46" x 14.31"



inside baffle smaller is 3/4" smaller on each side, so 3/8" overlap for "rabett" cut

Tweeter

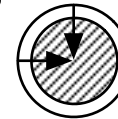
Overlap 2.875" (2 7/8") Inner Hole 2.25" (2 1/4")



Center: 1.4375" (1 7/16")

Passive Radiator

Overlap 7" Inner Hole 5.375" (5 3/8") Center: 3.5"



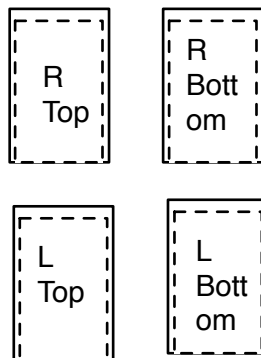
Woofers

Overlap 5.6875" (5 11/16") Inner Hole 4.437" (4 7/16")



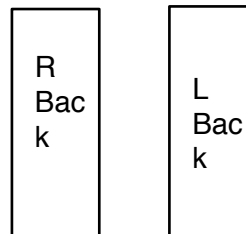
Center: 2.93375" (2 269/288")

6.21" x 9.59"



Rabett cut 3/8" x 3/4" on front, with 3/8" x 3/8" for sides, and none on back

5.46" x 14.31"



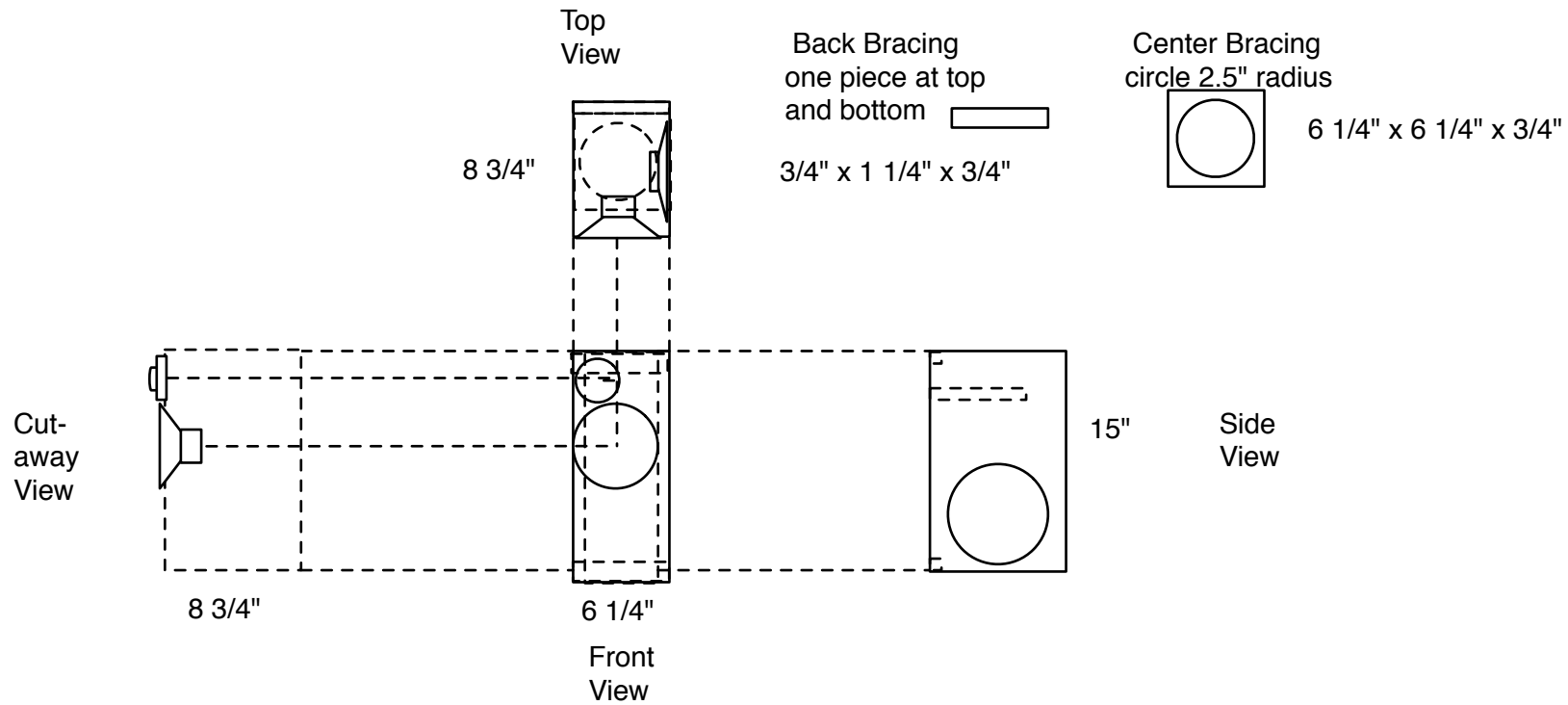
Rabett and Hole measurements 1/12 v. 1

Michigan Technological University

Drafter: Nicole Kirch

Designer: Nicole Kirch

2/15/10 Page 5 of 5



Final Dimensions of Cabinets 1/12	
Michigan Technological University	
Drafter: Nicole Kirch	Designer: Nicole Kirch
2/10/10 Page 1 of 2	

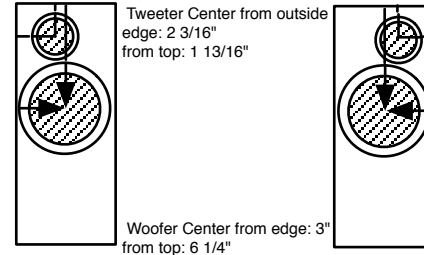
**Tweeter**

Overlap    Inner Hole  
 $2 \frac{7}{8}$ "     $2 \frac{1}{4}$ "

Center:  $1 \frac{7}{16}$ "

Overlap depth  $\frac{1}{8}$ "

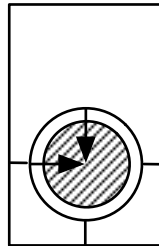
L  
Baffle  
Front



R  
Baffle  
Front

L Side 1    R Side 2  
 Passive    Passive

4.5" from each side to center



5" from base to center

Overlap 7"    Inner Hole  $5 \frac{3}{8}$ "  
 Center: 3.5"    Overlap depth  $\frac{3}{16}$ "

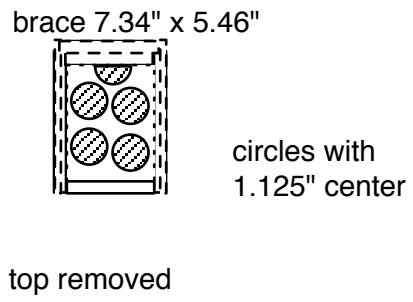
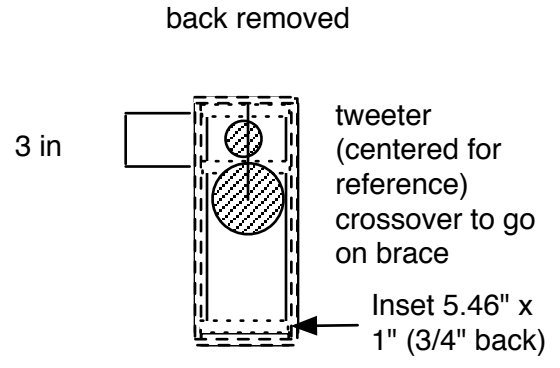
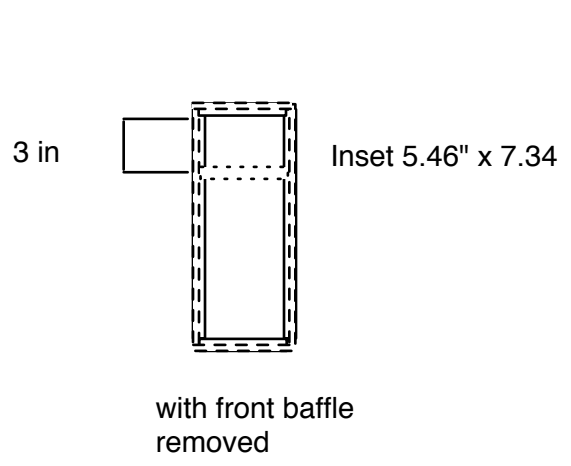
**Woofer**

Overlap    Inner Hole  
 $5 \frac{11}{16}$ "     $4 \frac{7}{16}$ "

Center: 3"

Overlap depth  $\frac{3}{16}$ "

Final Hole Placement and Dimensions 1/12	
Michigan Technological University	
Drafter: Nicole Kirch	Designer: Nicole Kirch
2/11/10 Page 2 of 2	



Bracing designs 1/12 v. 1	
Michigan Technological University	
Drafter: Nicole Kirch	Designer: Nicole Kirch
2/12/10 Page 4 of 5	

