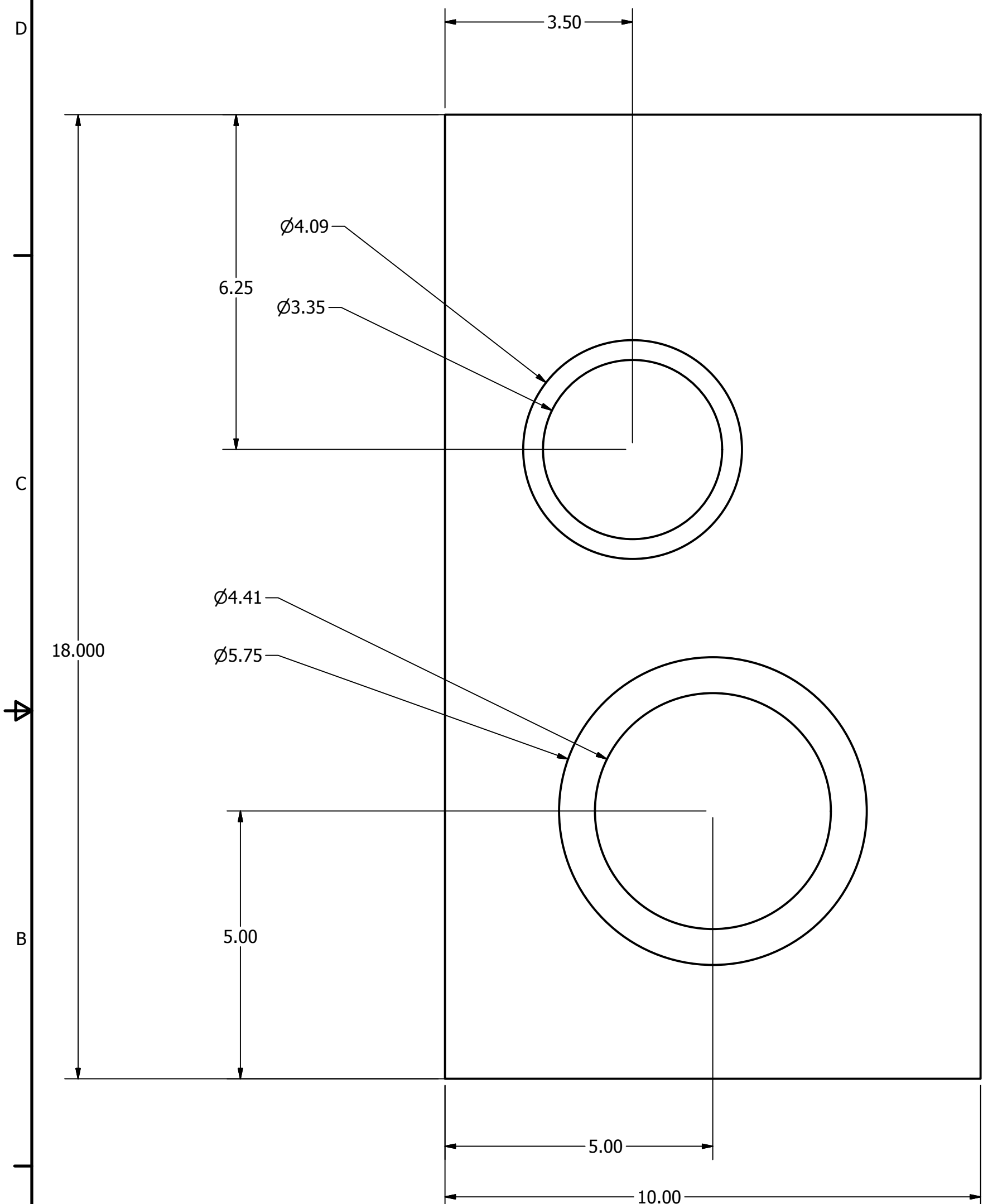


SECTION A-A
SCALE 1 / 4

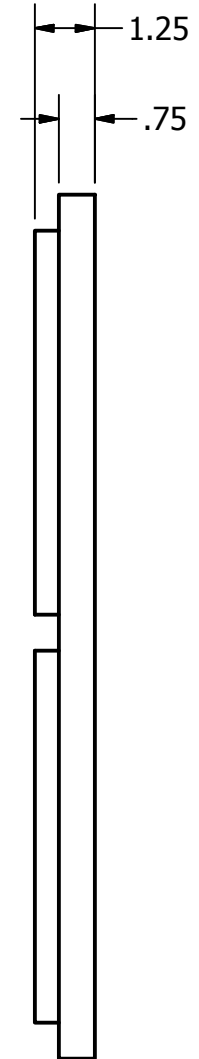
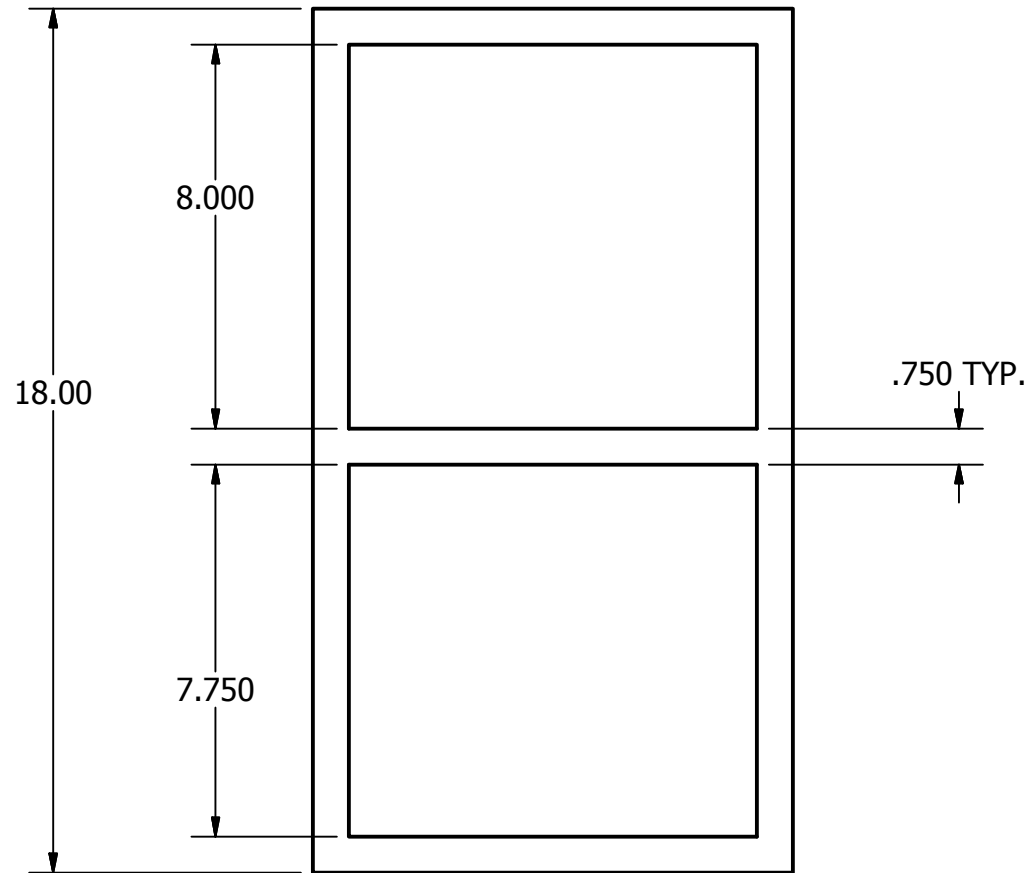
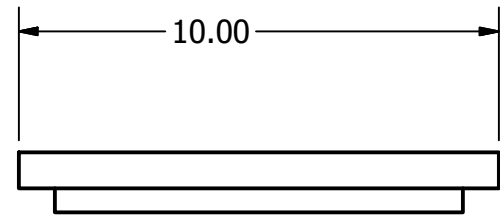
DRAWN Grant Prusi	2/17/2012	Assembled Box		
CHECKED		TITLE		
QA		Speaker		
MFG		SIZE	DWG NO	REV
APPROVED		C	Box	
		SCALE	SHEET 1 OF 9	

PRODUCED BY AN AUTODESK EDUCATIONAL PRODUCT

PRODUCED BY AN AUTODESK EDUCATIONAL PRODUCT



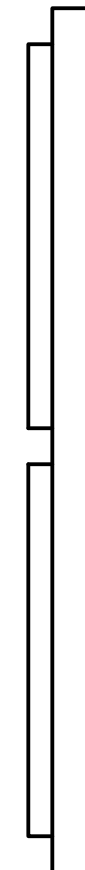
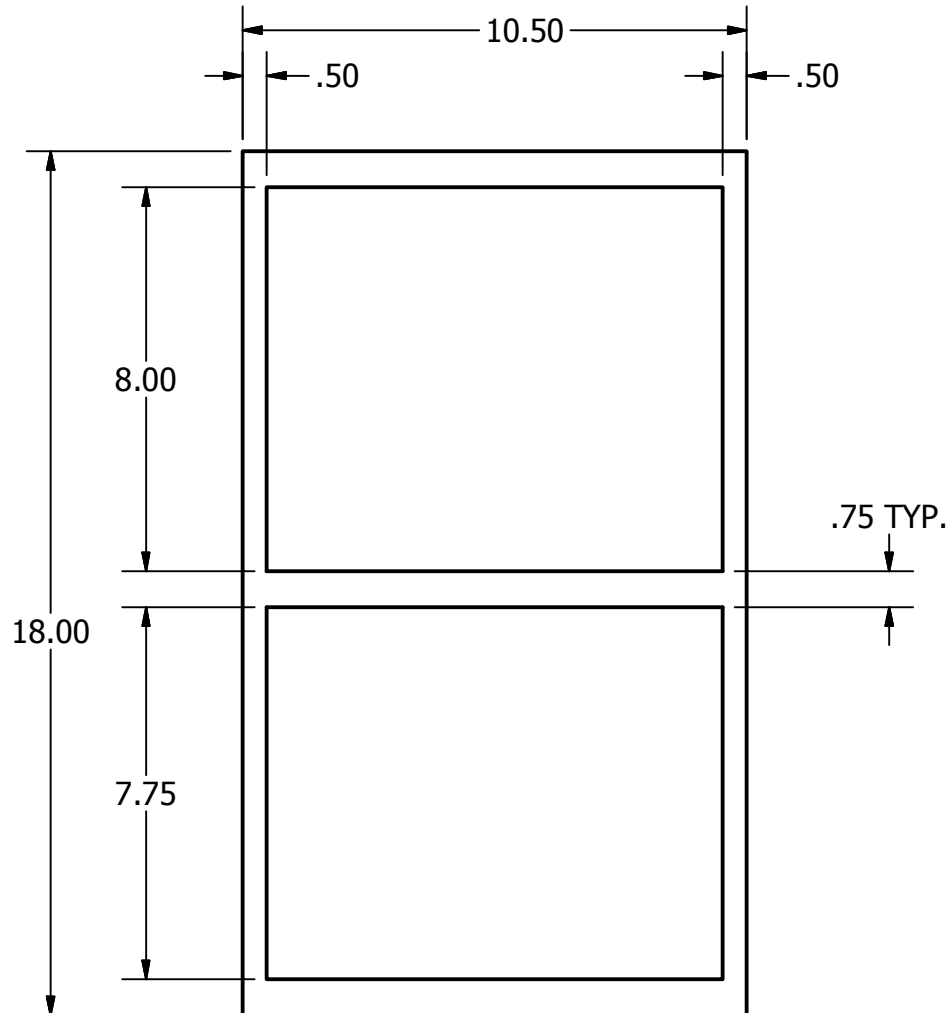
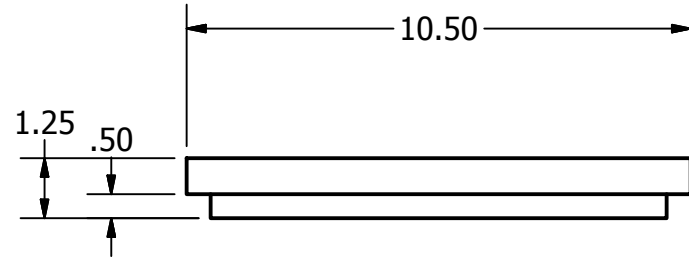
DRAWN Grant Prusi	2/17/2012	Baffle		
CHECKED		TITLE		
QA		Speaker		
MFG				
APPROVED		SIZE	DWG NO	REV
		C	Box	
		SCALE	SHEET 2 OF 9	



DRAWN Grant Prusi	2/17/2012	Back Panel		
CHECKED		TITLE		
QA		Speaker		
MFG				
APPROVED		SIZE	DWG NO	REV
		C	Box	
		SCALE	SHEET 3 OF 9	

PRODUCED BY AN AUTODESK EDUCATIONAL PRODUCT

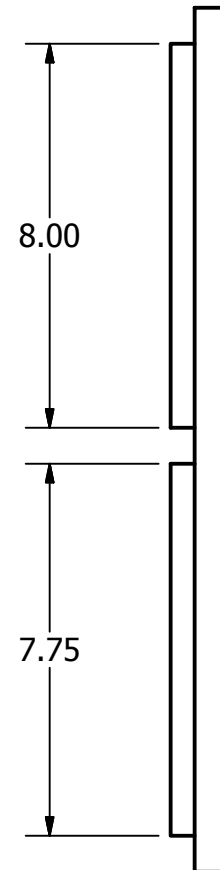
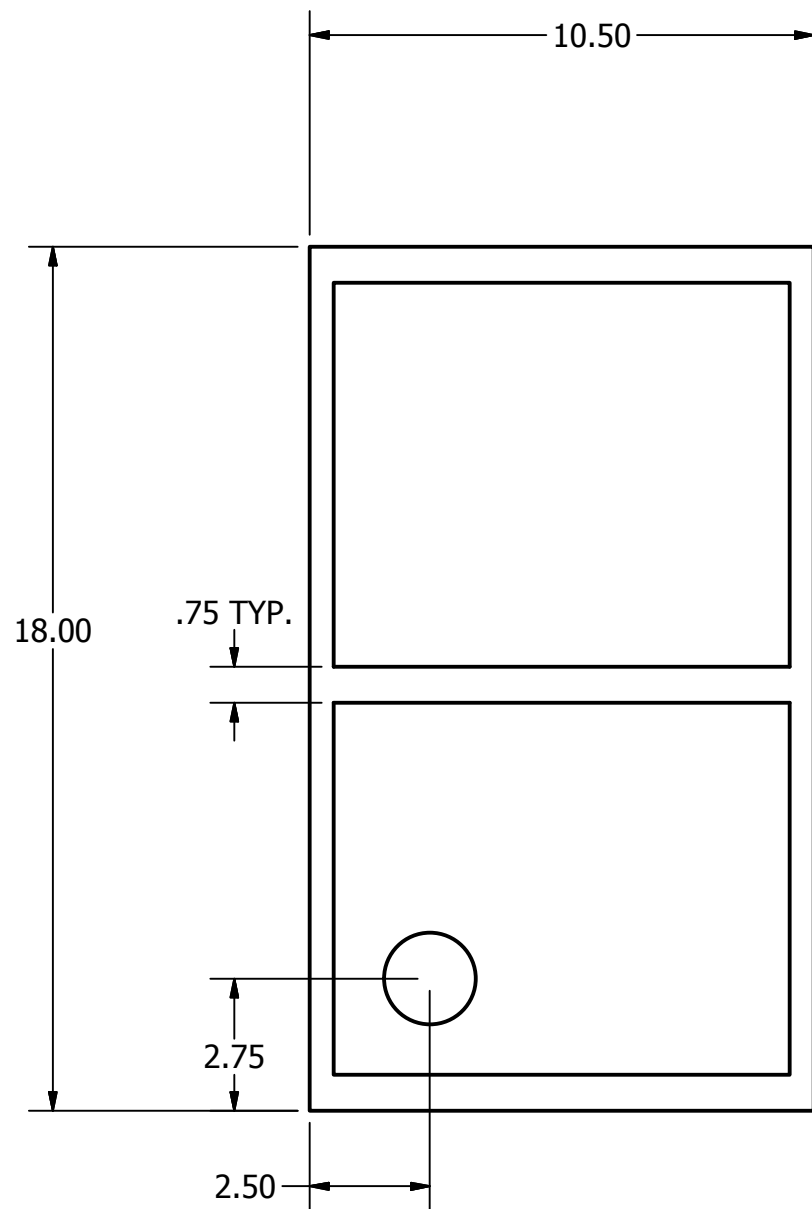
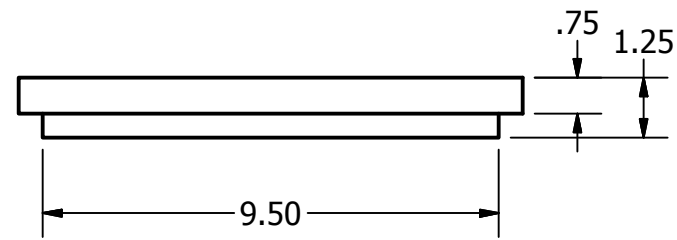
PRODUCED BY AN AUTODESK EDUCATIONAL PRODUCT



DRAWN Grant Prusi	2/17/2012	Side Panel		
CHECKED		TITLE		
QA		Speaker		
MFG				
APPROVED		SIZE	DWG NO	REV
		C	Box	
		SCALE	SHEET 4 OF 9	

PRODUCED BY AN AUTODESK EDUCATIONAL PRODUCT

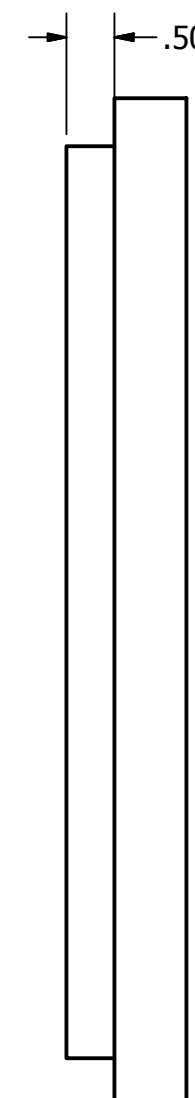
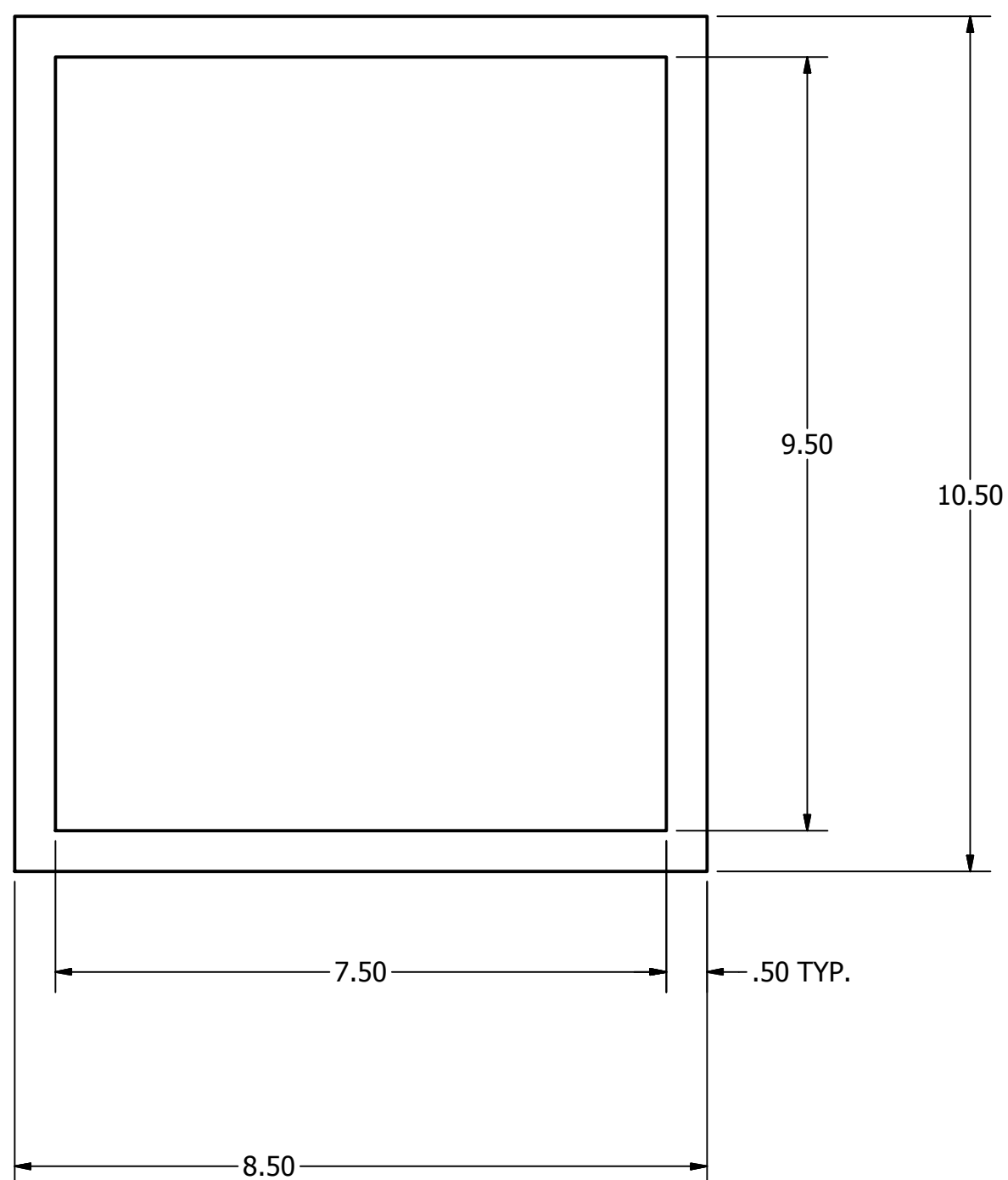
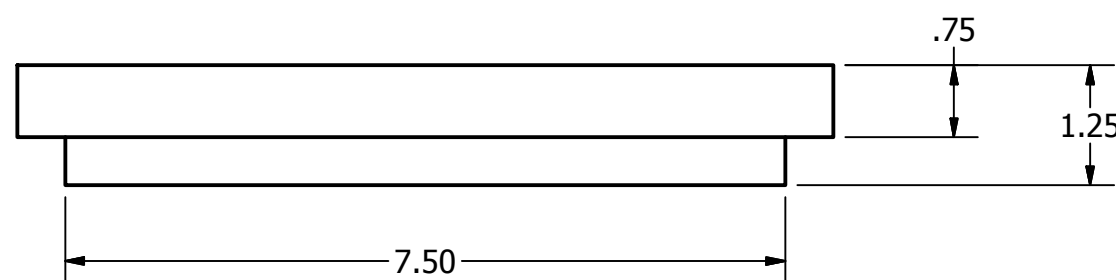
PRODUCED BY AN AUTODESK EDUCATIONAL PRODUCT



DRAWN Grant Prusi	2/17/2012	Side Panel - Vented TITLE		
CHECKED				
QA		Speaker		
MFG				
APPROVED		SIZE C	DWG NO Box	REV
		SCALE	SHEET 5 OF 9	

PRODUCED BY AN AUTODESK EDUCATIONAL PRODUCT

PRODUCED BY AN AUTODESK EDUCATIONAL PRODUCT



DRAWN Grant Prusi	2/17/2012	Top/Bottom Panel		
CHECKED		TITLE		
QA		Speaker		
MFG				
APPROVED		SIZE	DWG NO	REV
		C	Box	
		SCALE	SHEET 6 OF 9	

PRODUCED BY AN AUTODESK EDUCATIONAL PRODUCT

PRODUCED BY AN AUTODESK EDUCATIONAL PRODUCT

4

3

2

1

D

D

C

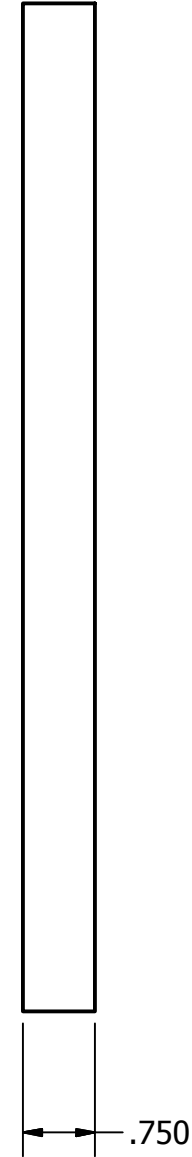
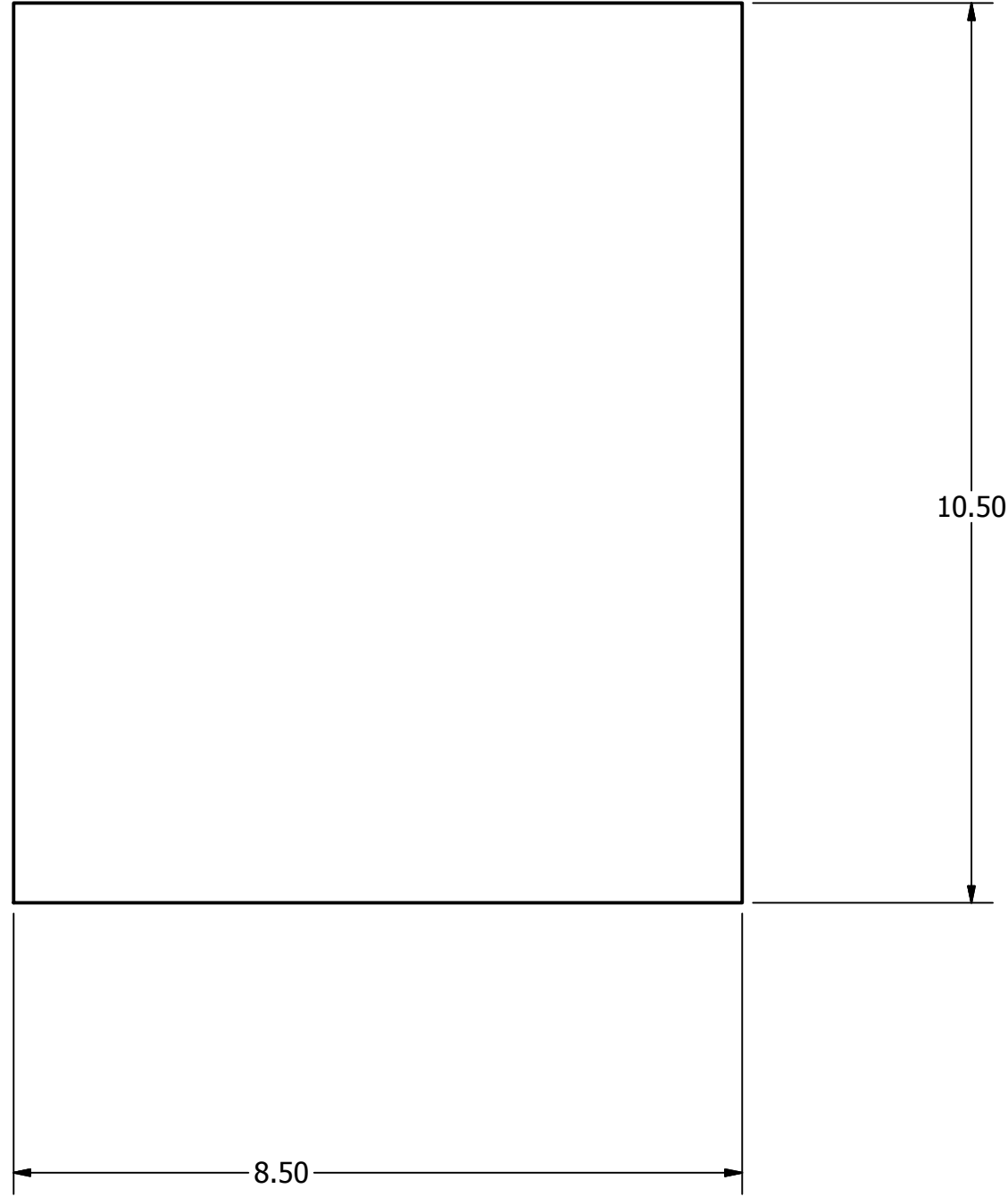
C

B

B

A

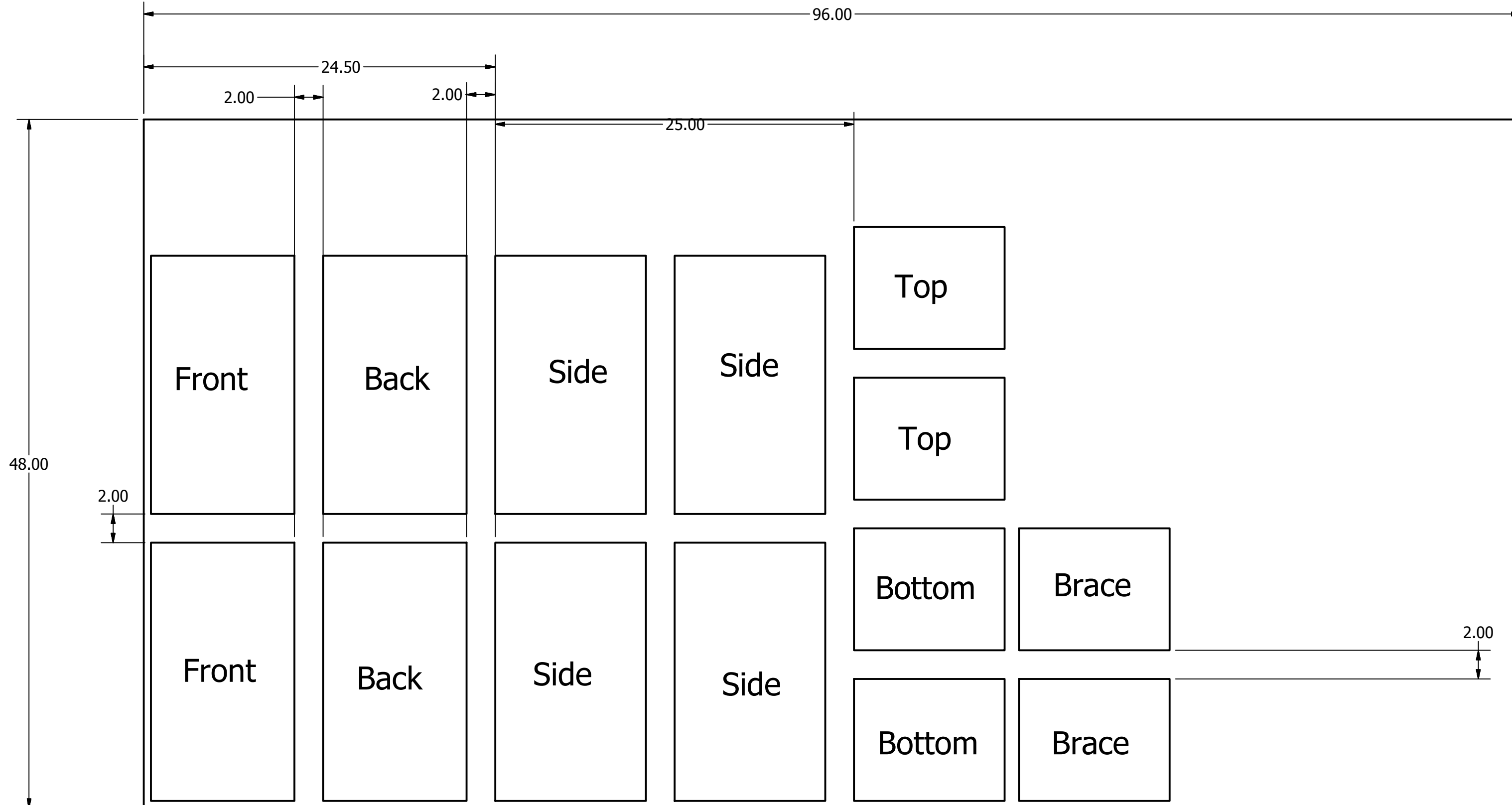
A



DRAWN Grant Prusi	2/17/2012			
CHECKED		Brace		
QA		TITLE		
MFG		Speaker		
APPROVED		SIZE	DWG NO	REV
		C	Box	
		SCALE	SHEET 7 OF 9	

PRODUCED BY AN AUTODESK EDUCATIONAL PRODUCT

PRODUCED BY AN AUTODESK EDUCATIONAL PRODUCT



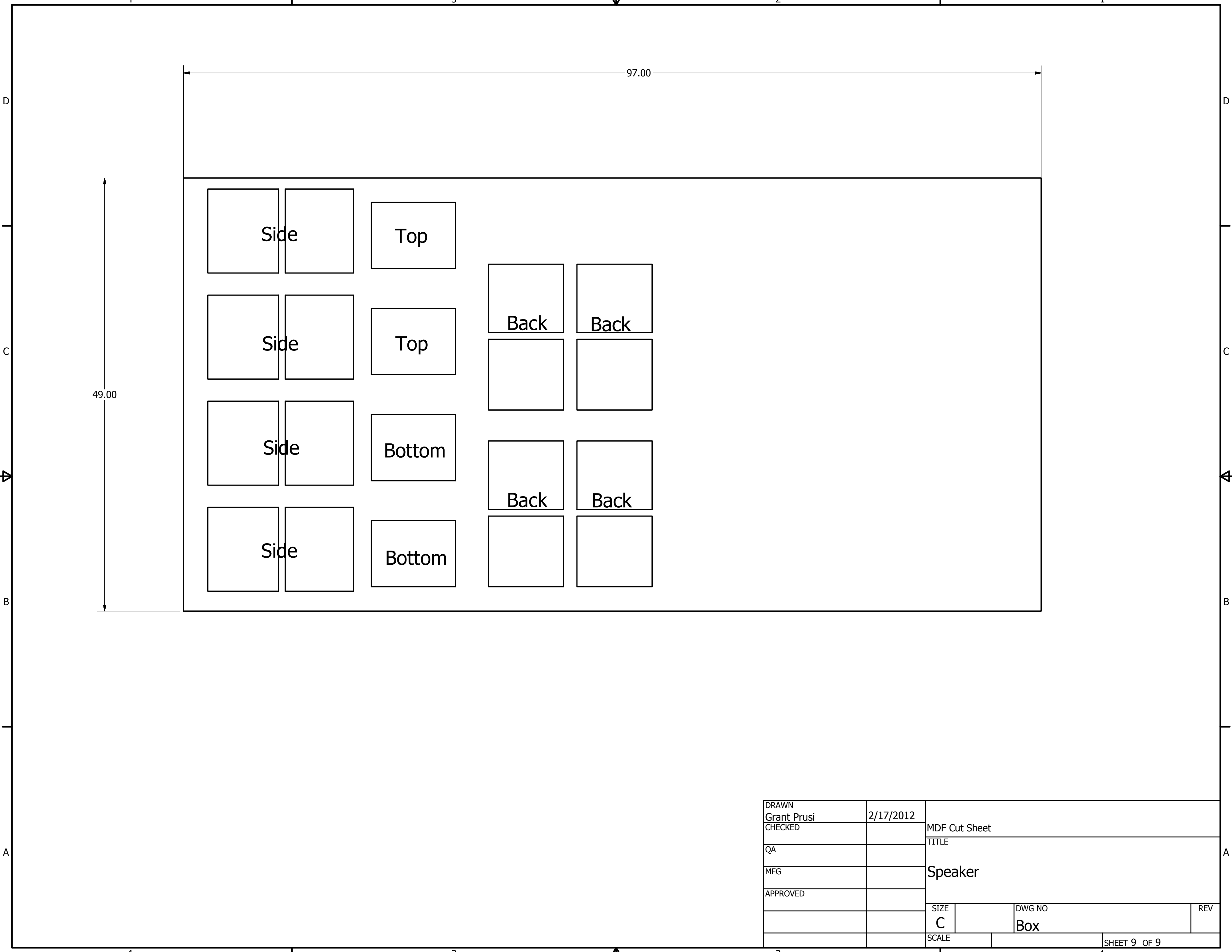
DRAWN Grant Prusi	2/17/2012	Plywood Cut Sheet		
CHECKED		TITLE		
QA		Speaker		
MFG		SIZE C	DWG NO Box	REV
APPROVED		SCALE	SHEET 8 OF 9	

PRODUCED BY AN AUTODESK EDUCATIONAL PRODUCT

PRODUCED BY AN AUTODESK EDUCATIONAL PRODUCT

PRODUCED BY AN AUTODESK EDUCATIONAL PRODUCT

PRODUCED BY AN AUTODESK EDUCATIONAL PRODUCT



DRAWN Grant Prusi	2/17/2012	MDF Cut Sheet		
CHECKED		TITLE		
QA		Speaker		
MFG				
APPROVED		SIZE	DWG NO	REV
		C	Box	
		SCALE	SHEET 9 OF 9	