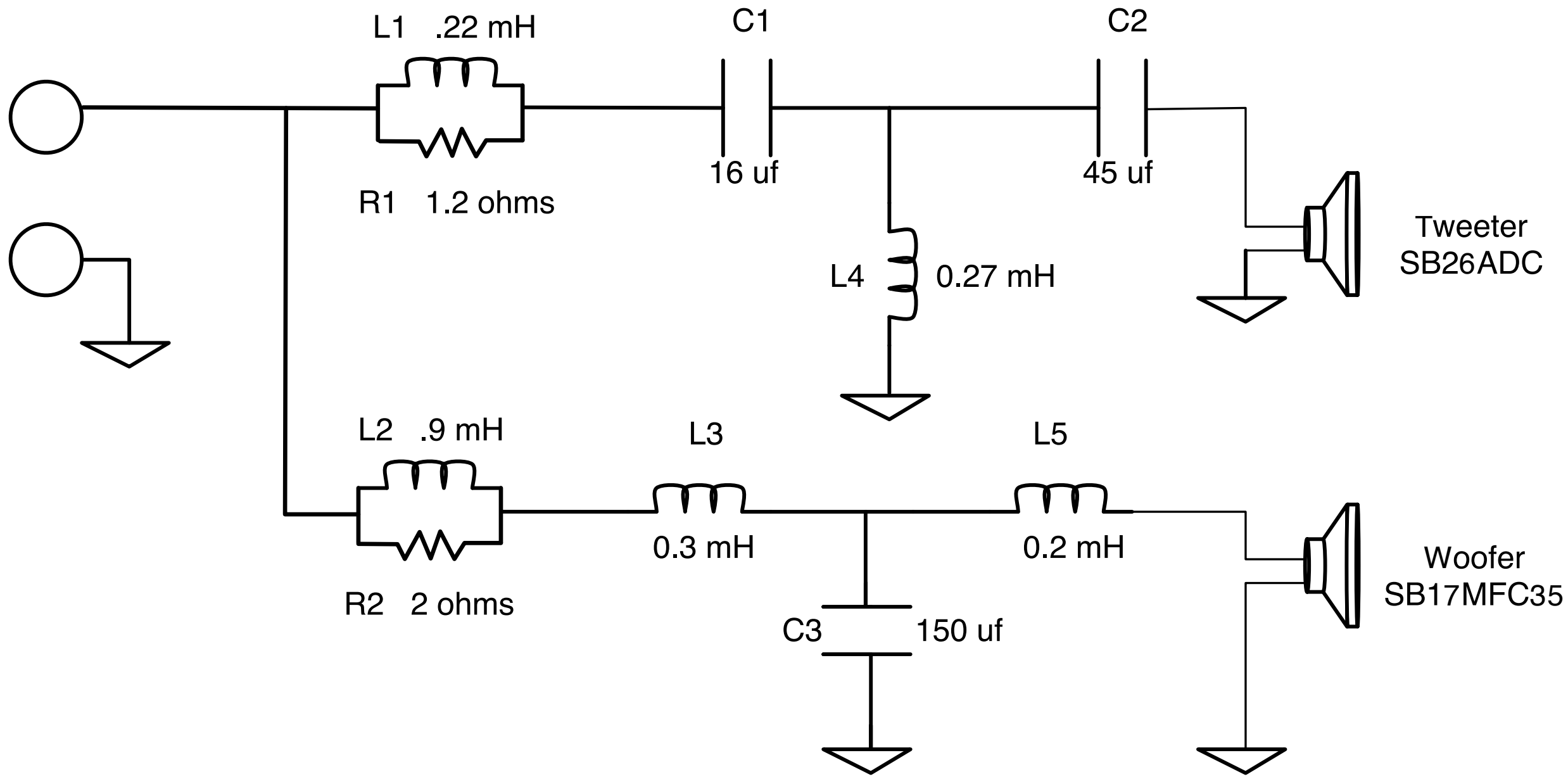


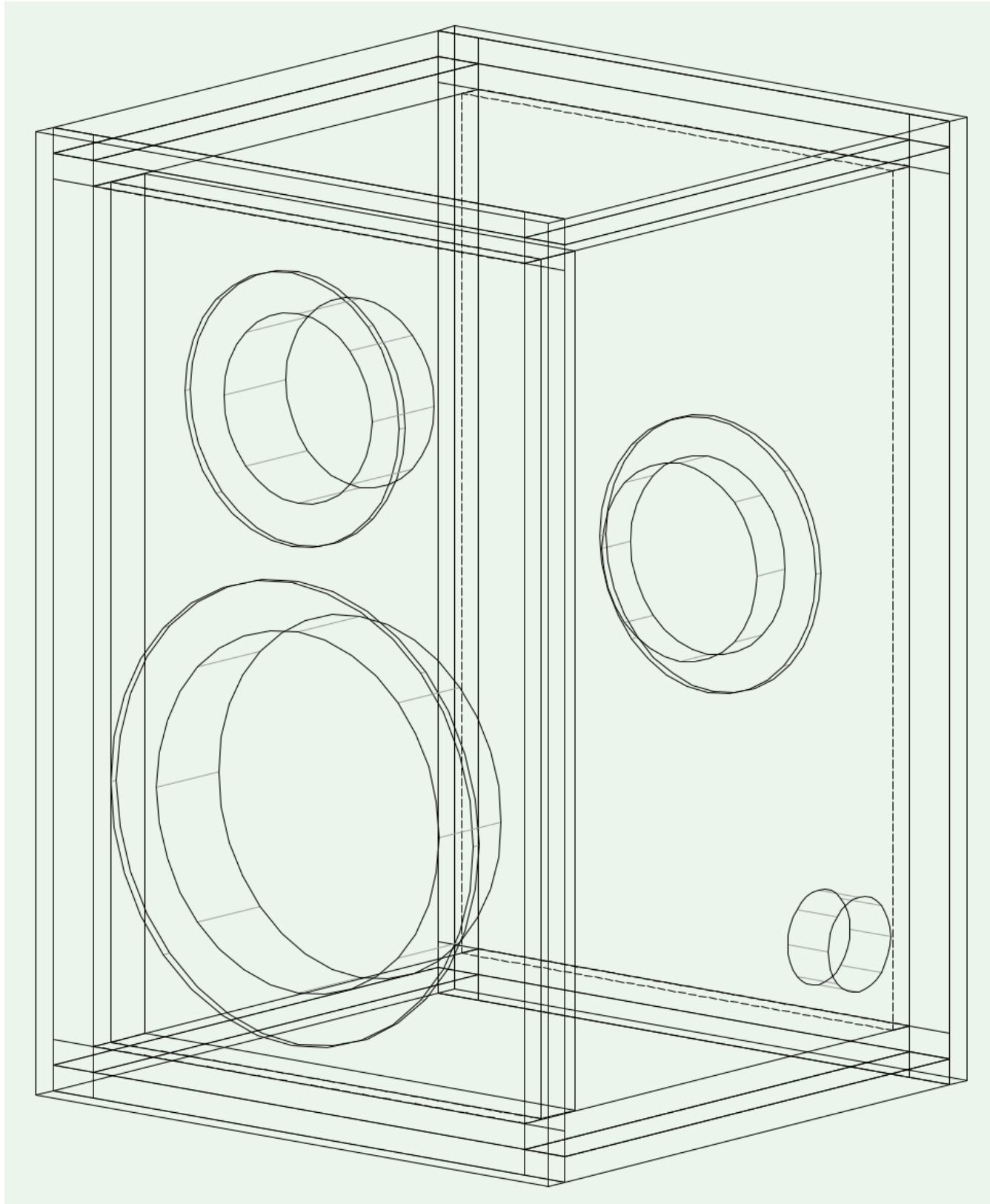
Loudspeaker Construction Drafting

Ignis Series 1

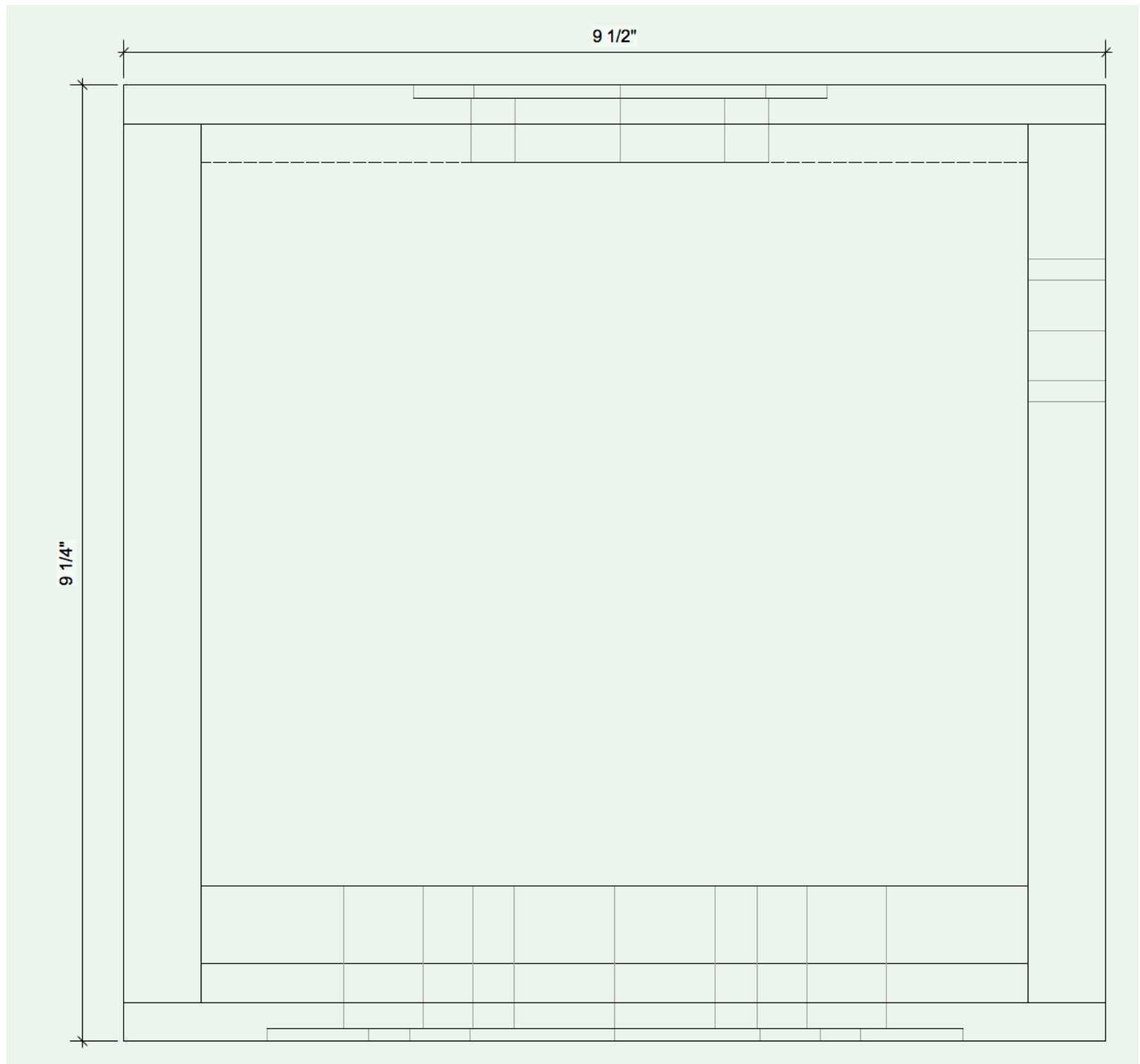
Jonathan Moths
Transducer Theory FA4740
5-3-13



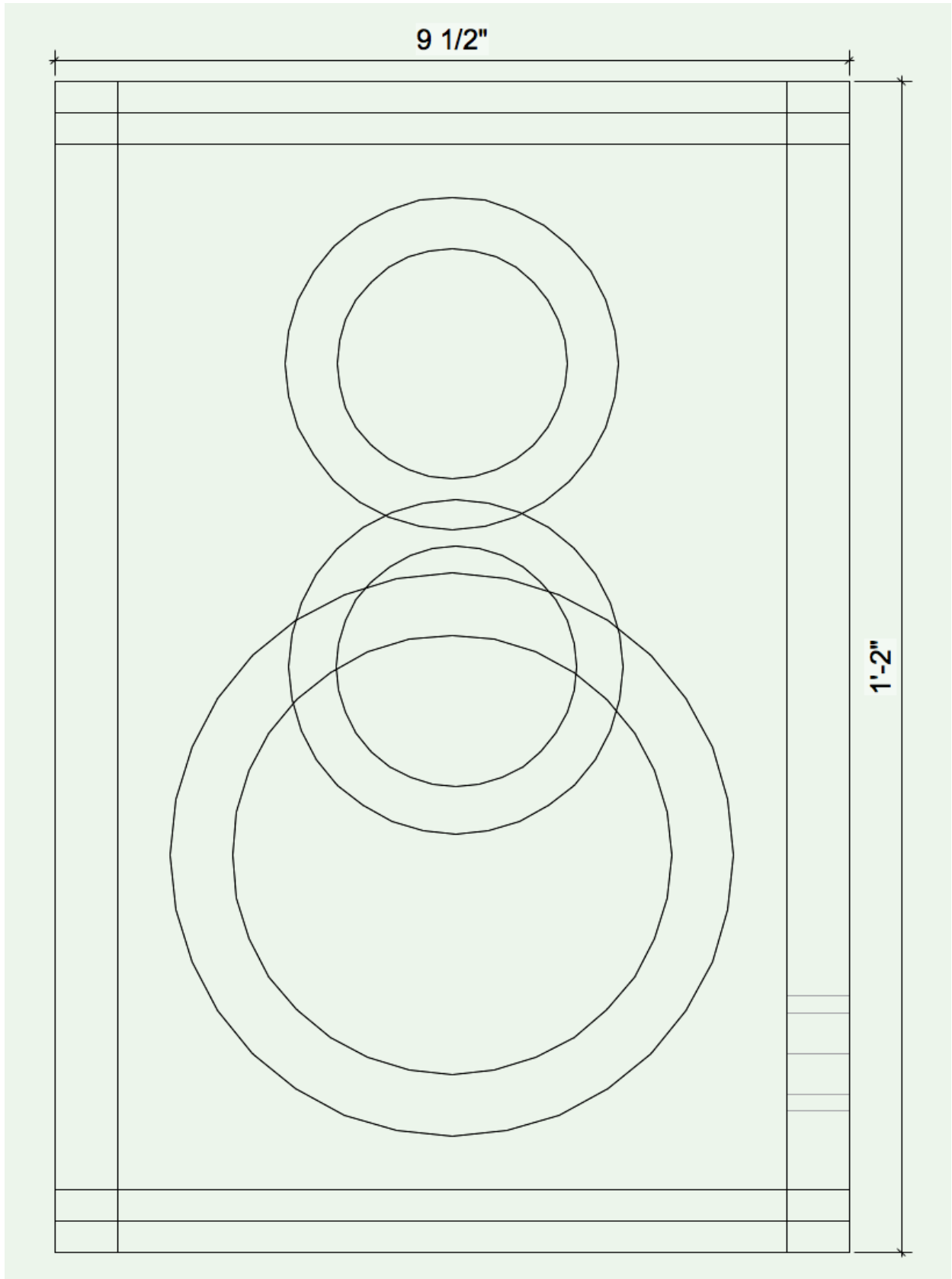
Project	FA4740 Transducer Theory		
Drawing	Loudspeaker Crossover Design		
Design	Ignis Series 1	Designer	Jonathan Moths
Drafted by	Jonathan Moths	Date Drawn	5/3/13
		Revision #	3
Construction Date	2013	Scale	N/A
		Drawing #	1 of 1
School	Michigan Technological University		



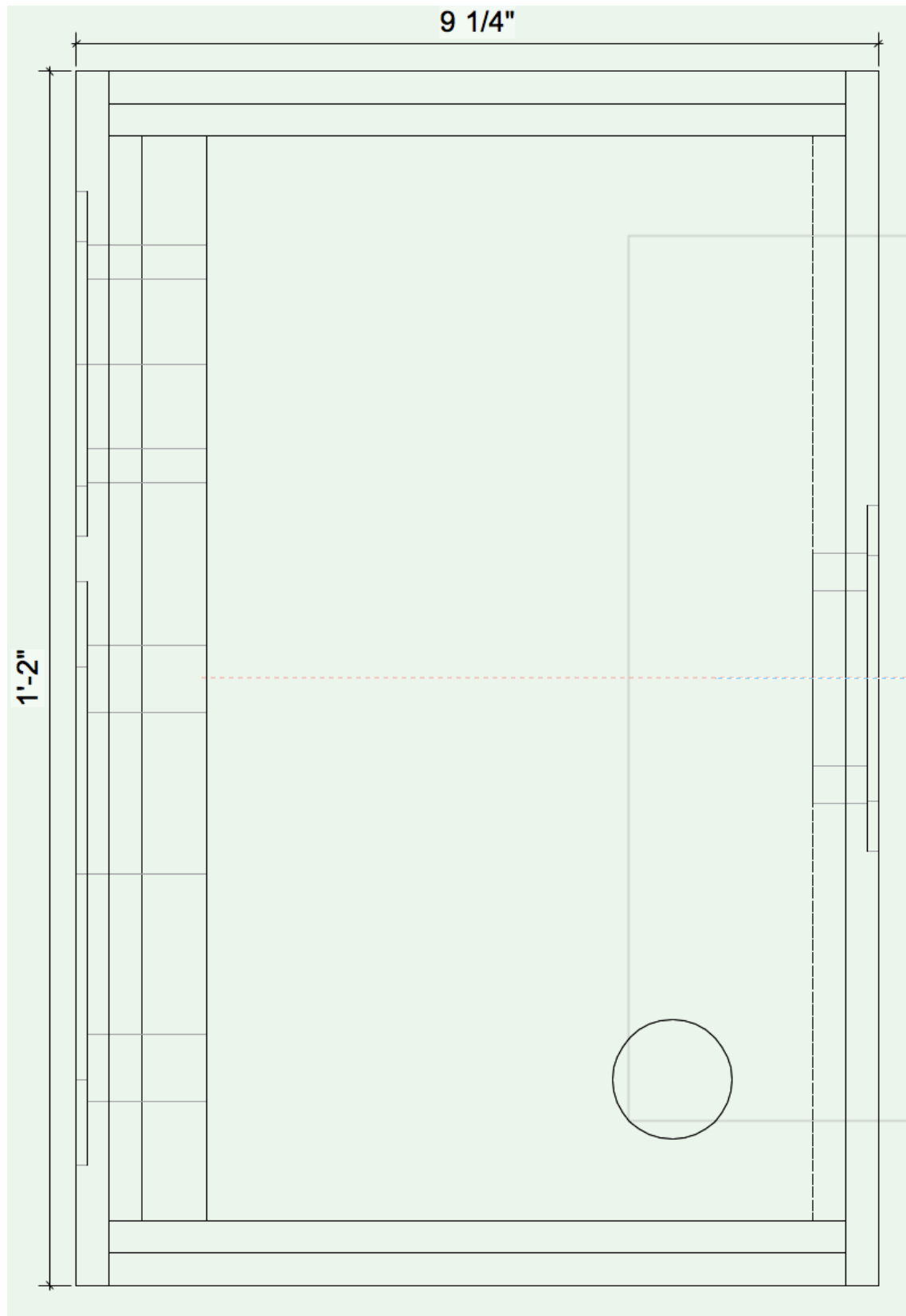
Project	FA4740 Transducer Theory	
Drawing	Speaker Drafting - Isometric View	
Design	Ignis Series 1	Designer Jonathan Moths
Drafted by Jonathan Moths	Date Drawn 5/3/13	Revision # 2
Construction Date 2013	Scale NA	Drawing # 1 of 20
School	Michigan Technological University	



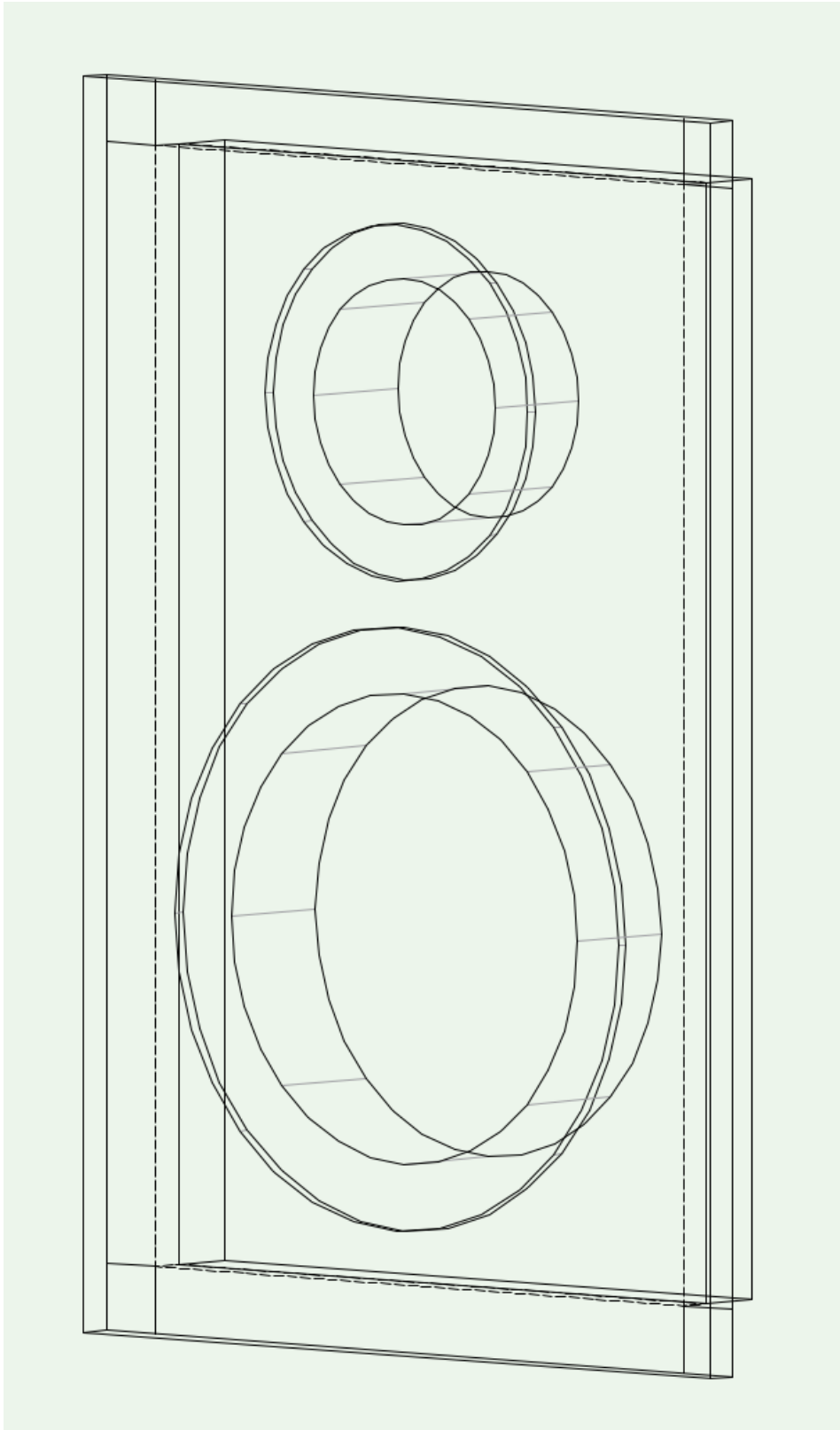
Project			FA4740 Transducer Theory		
Drawing			Speaker Drafting - Top View		
Design		Ignis Series 1		Designer	
				Jonathan Moths	
Drafted by		Date Drawn		Revision #	
Jonathan Moths		5/3/13		2	
Construction Date		Scale		Drawing #	
2013		NA		2 of 20	
School			Michigan Technological University		



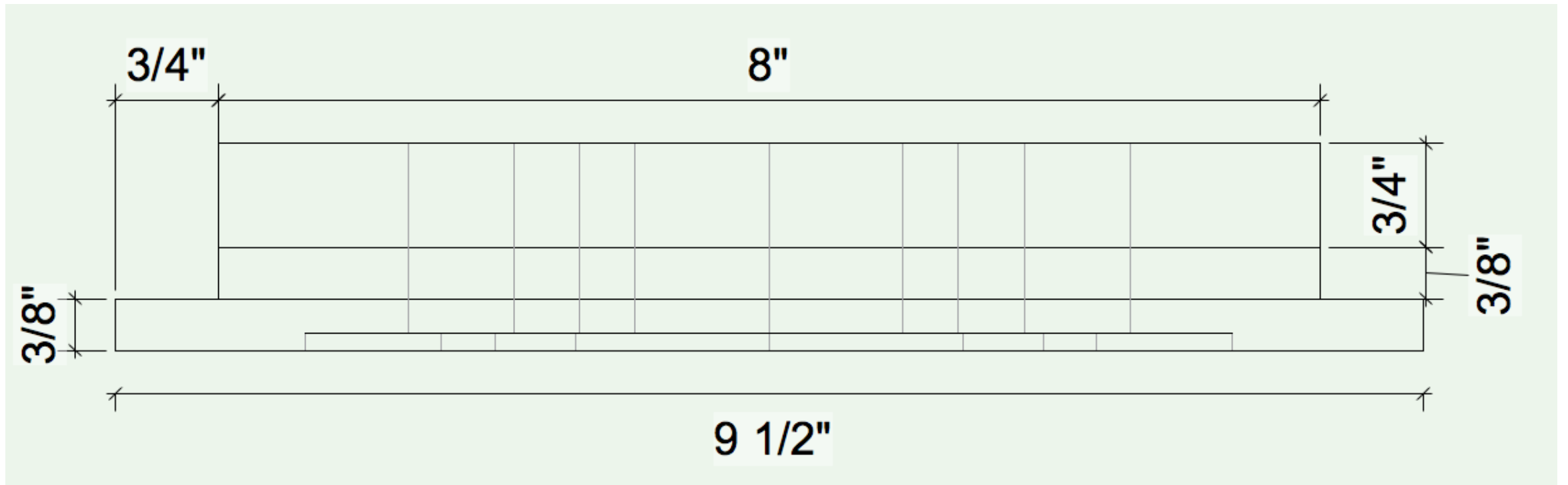
Project	FA4740 Transducer Theory	
Drawing	Speaker Drafting - Front View	
Design	Ignis Series 1	Designer Jonathan Moths
Drafted by Jonathan Moths	Date Drawn 5/3/13	Revision # 2
Construction Date 2013	Scale NA	Drawing # 3 of 20
School	Michigan Technological University	



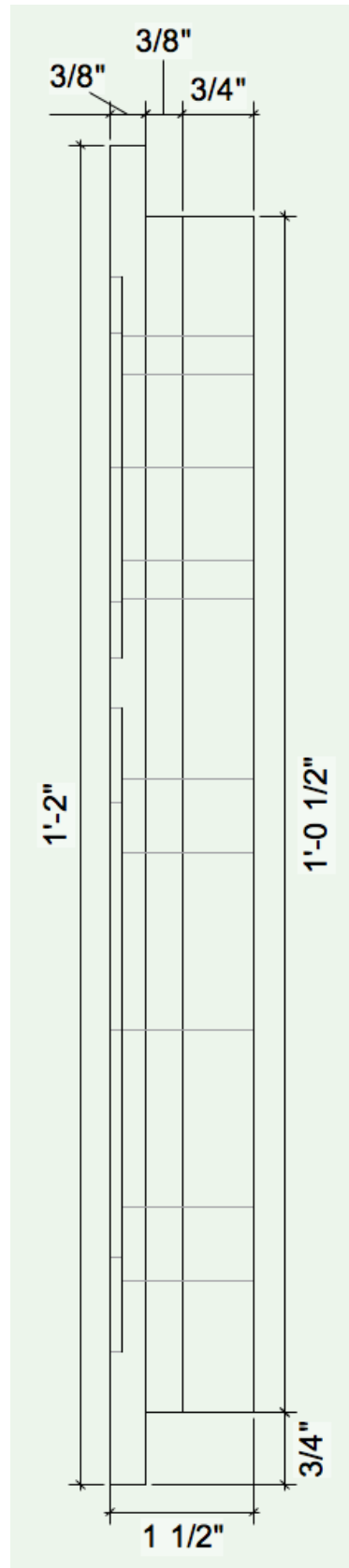
Project	FA4740 Transducer Theory	
Drawing	Speaker Drafting - Side View	
Design	Ignis Series 1	Designer Jonathan Moths
Drafted by Jonathan Moths	Date Drawn 5/3/13	Revision # 2
Construction Date 2013	Scale NA	Drawing # 4 of 20
School	Michigan Technological University	



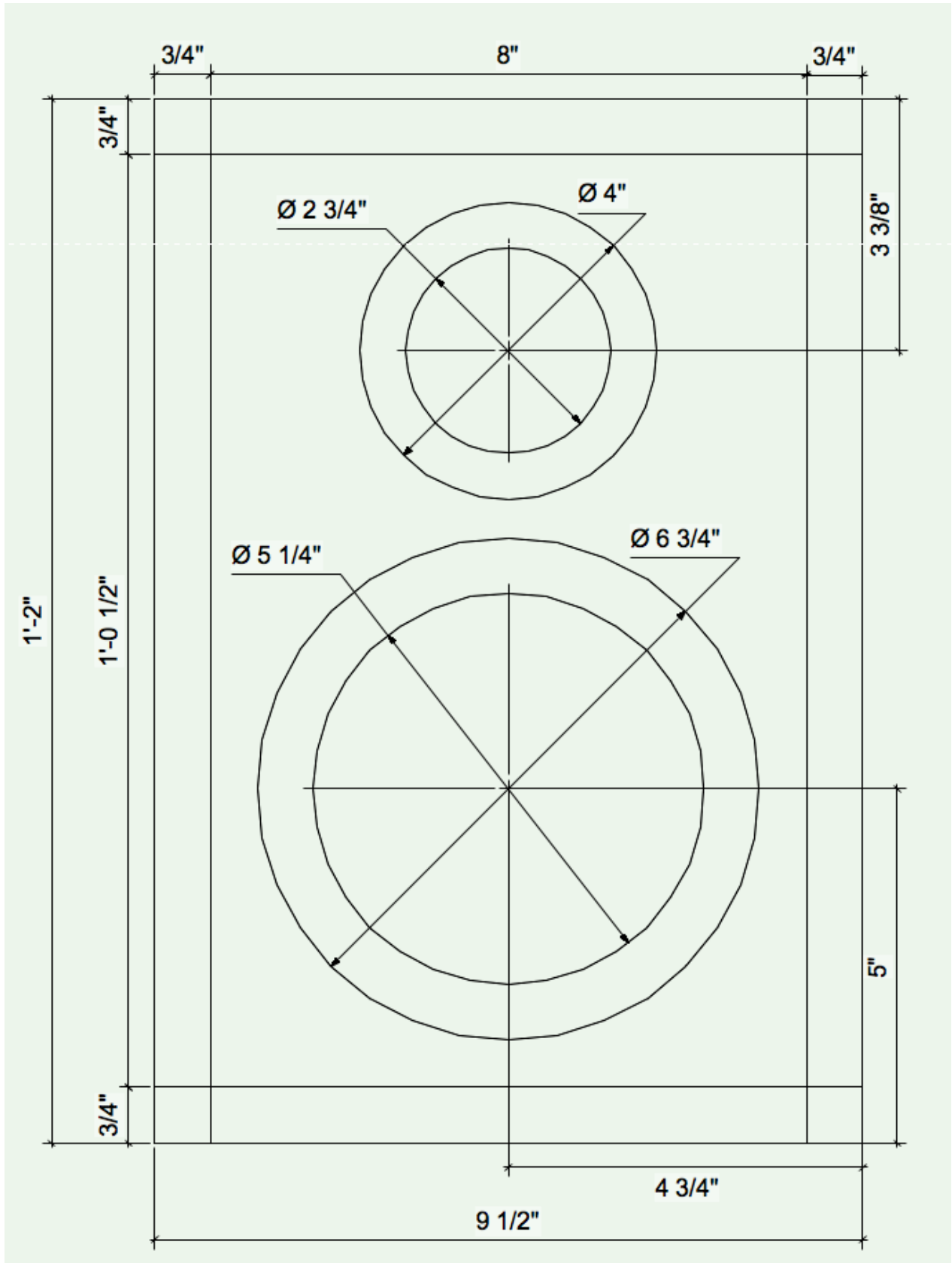
Project			FA4740 Transducer Theory			
Drawing			Drafting - Front Baffle - Isometric View			
Design		Ignis Series 1	Designer		Jonathan Moths	
Drafted by		Jonathan Moths	Date Drawn	5/3/13	Revision #	2
Construction Date		2013	Scale	NA	Drawing #	5 of 24
School			Michigan Technological University			



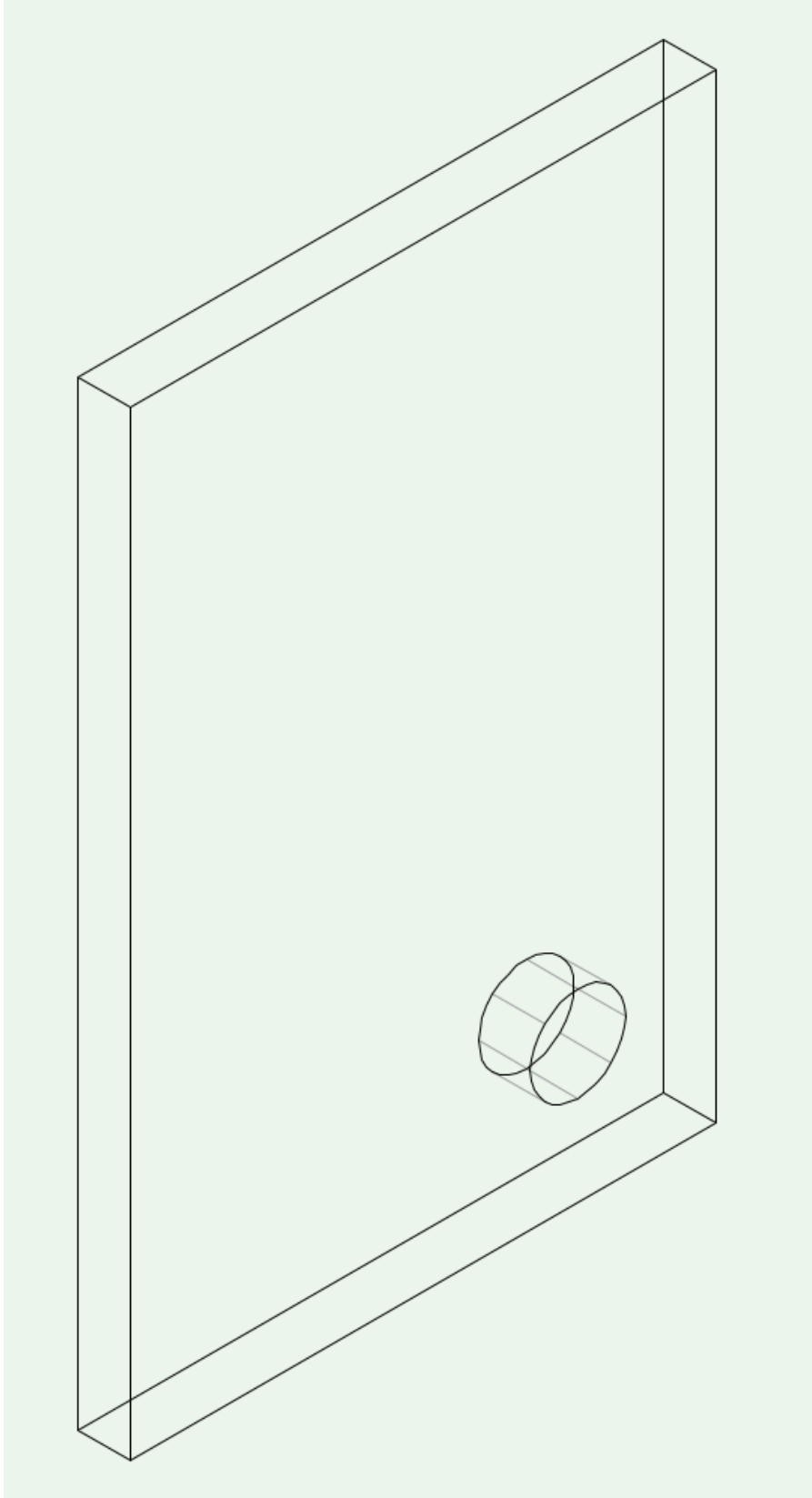
Project	FA4740 Transducer Theory	
Drawing	Drafting - Front Baffle - Top View	
Design	Ignis Series 1	Designer Jonathan Moths
Drafted by Jonathan Moths	Date Drawn 5/3/13	Revision # 2
Construction Date 2013	Scale NA	Drawing # 6 of 20
School	Michigan Technological University	



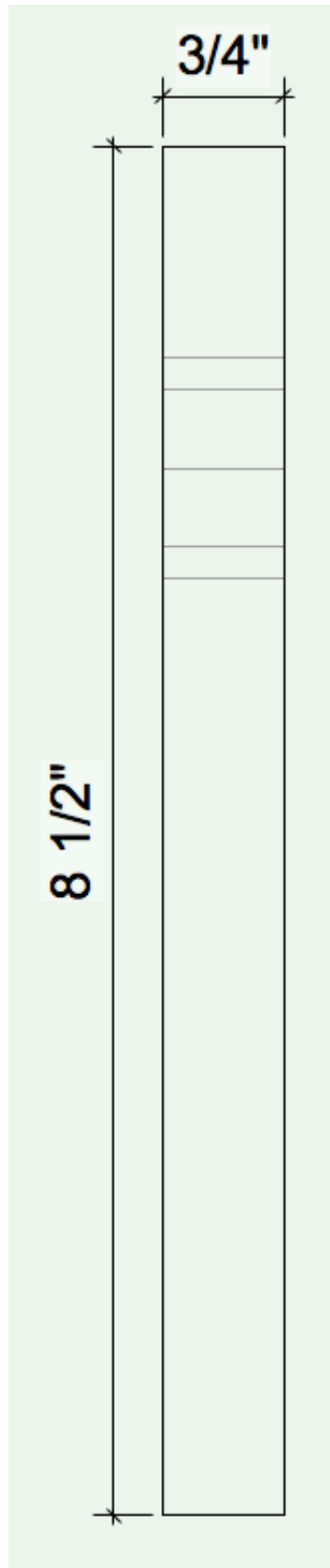
Project	FA4740 Transducer Theory	
Drawing	Drafting - Front Baffle - Side View	
Design	Ignis Series 1	Designer Jonathan Moths
Drafted by Jonathan Moths	Date Drawn 5/3/13	Revision # 2
Construction Date 2013	Scale NA	Drawing # 7 of 20
School	Michigan Technological University	



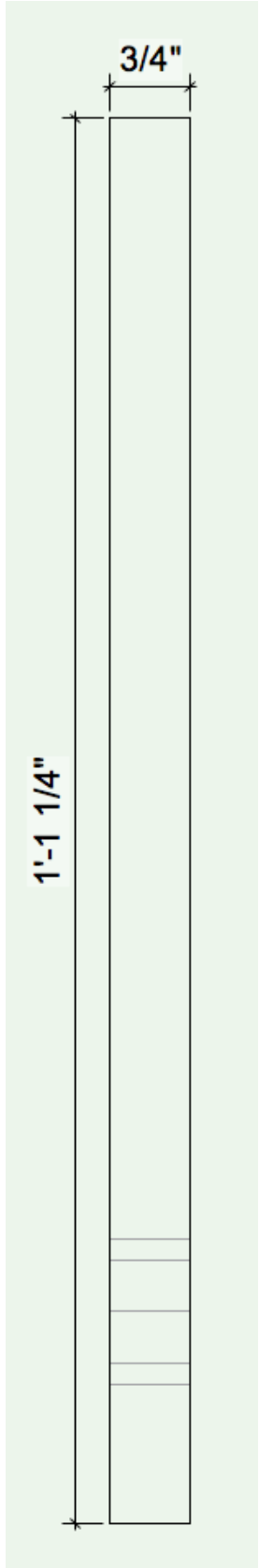
Project			FA4740 Transducer Theory		
Drawing			Drafting - Front Baffle - Front View		
Design		Ignis Series 1		Designer	
				Jonathan Moths	
Drafted by		Date Drawn	Revision #		
Jonathan Moths		5/3/13	2		
Construction Date		Scale	Drawing #		
2013		NA	8 of 20		
School			Michigan Technological University		



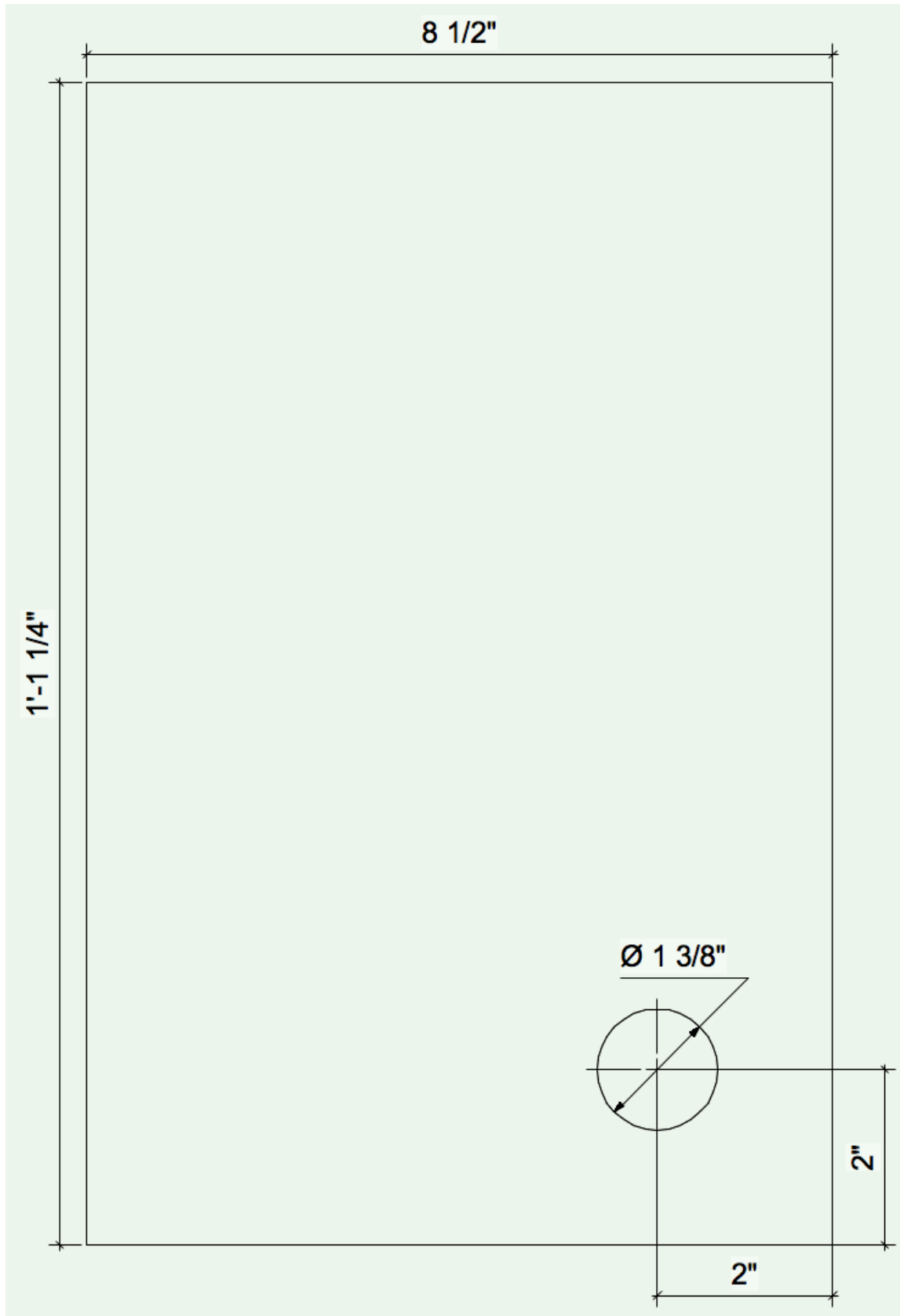
Project			FA4740 Transducer Theory			
Drawing			Drafting - Side Piece - Isometric View			
Design		Ignis Series 1	Designer		Jonathan Moths	
Drafted by		Jonathan Moths	Date Drawn	5/3/13	Revision #	2
Construction Date		2013	Scale	NA	Drawing #	9 of 20
School			Michigan Technological University			



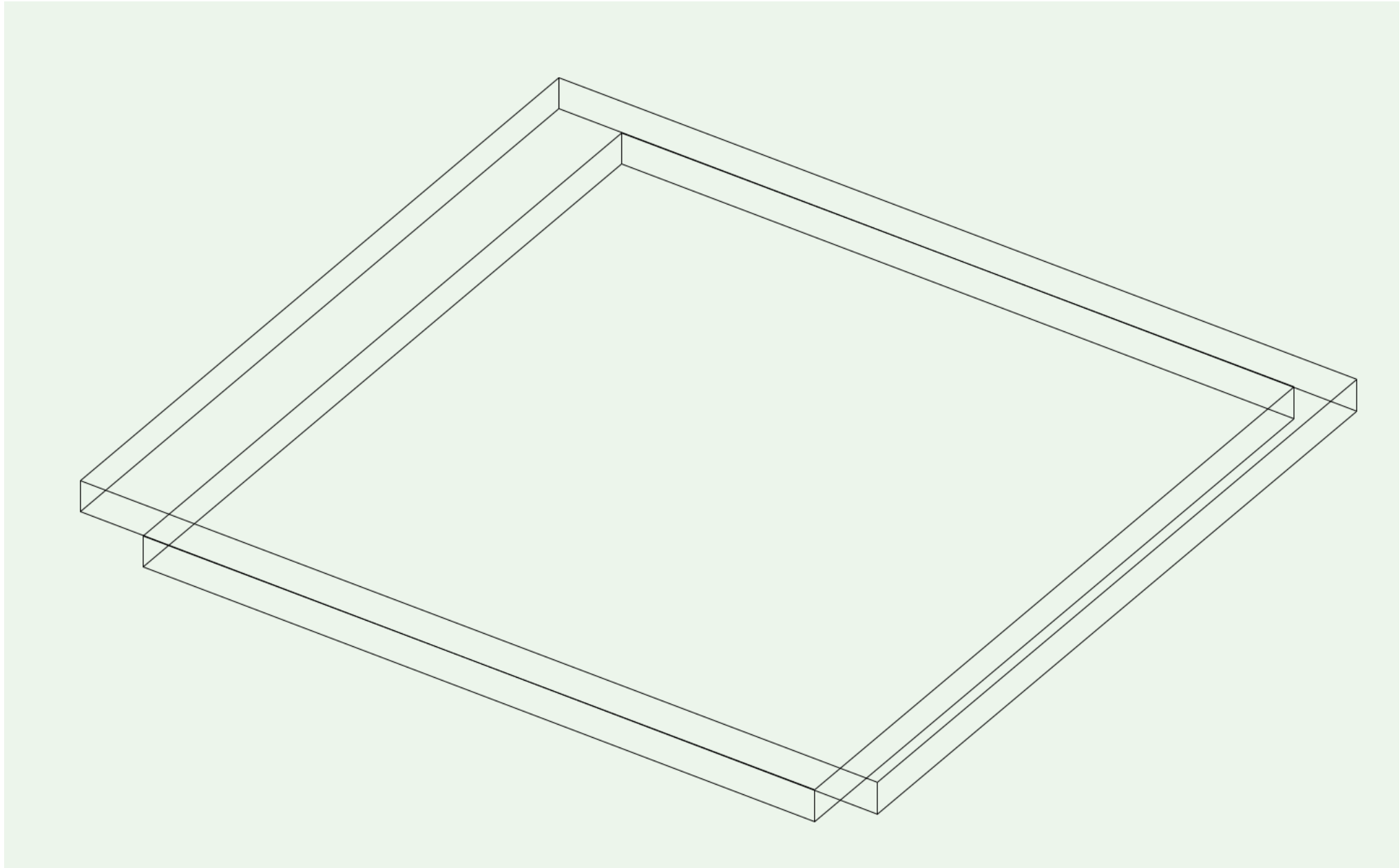
Project	FA4740 Transducer Theory	
Drawing	Drafting - Side Piece - Top View	
Design	Ignis Series 1	Designer Jonathan Moths
Drafted by Jonathan Moths	Date Drawn 5/3/13	Revision # 2
Construction Date 2013	Scale NA	Drawing # 10 of 20
School	Michigan Technological University	



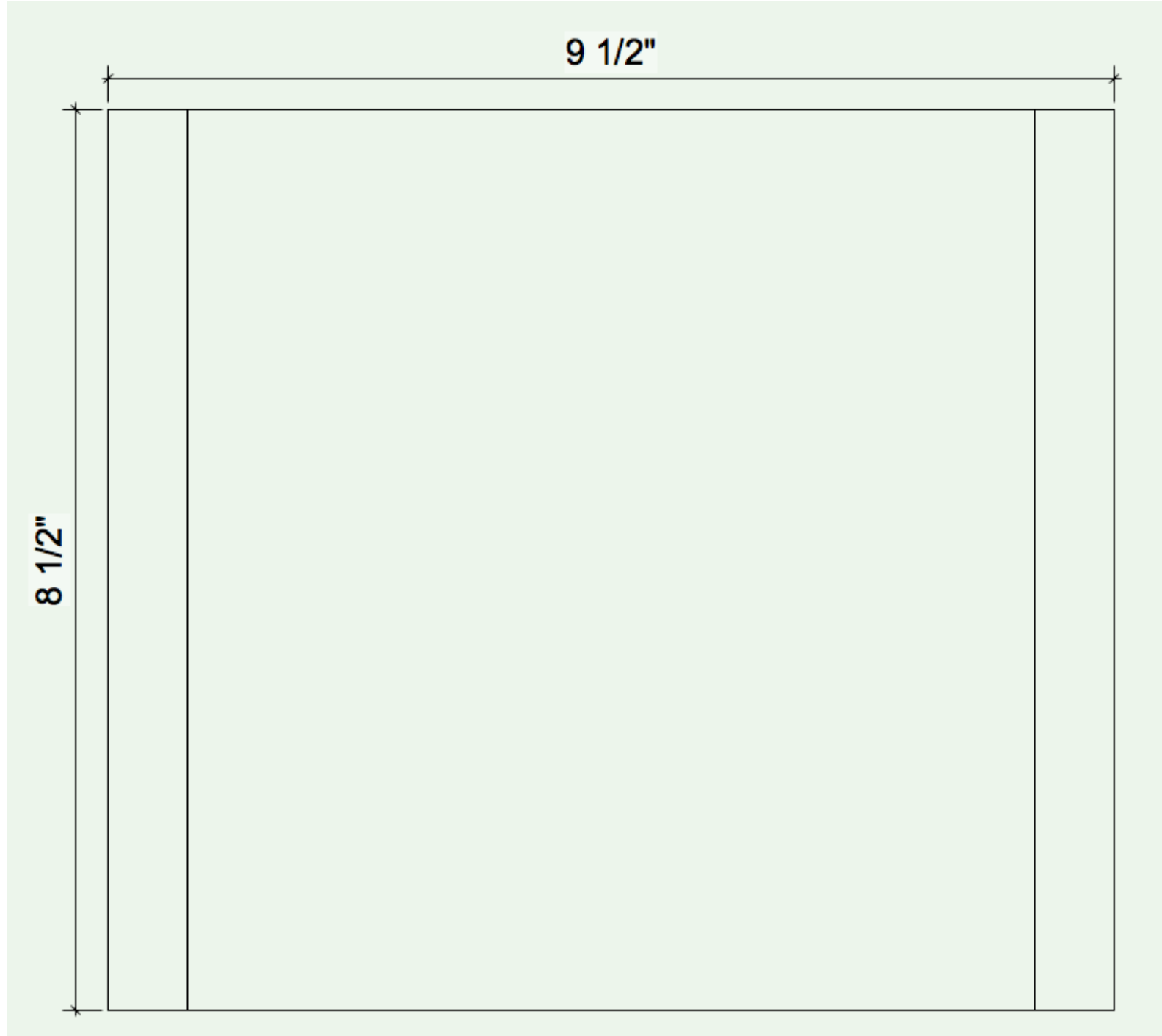
Project			FA4740 Transducer Theory		
Drawing			Drafting - Side Piece - Front View		
Design		Ignis Series 1	Designer		Jonathan Moths
Drafted by		Jonathan Moths	Date Drawn	5/3/13	Revision #
Construction Date		2013	Scale	NA	Drawing #
School		Michigan Technological University			
				11 of 20	



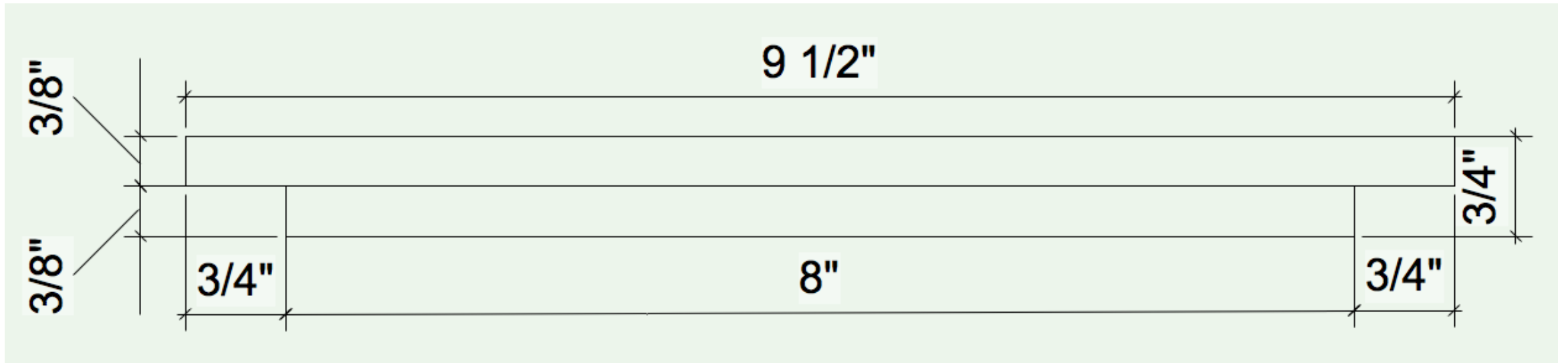
Project	FA4740 Transducer Theory	
Drawing	Drafting - Side Piece - Side View	
Design	Ignis Series 1	Designer Jonathan Moths
Drafted by Jonathan Moths	Date Drawn 5/3/13	Revision # 2
Construction Date 2013	Scale NA	Drawing # 12 of 20
School	Michigan Technological University	



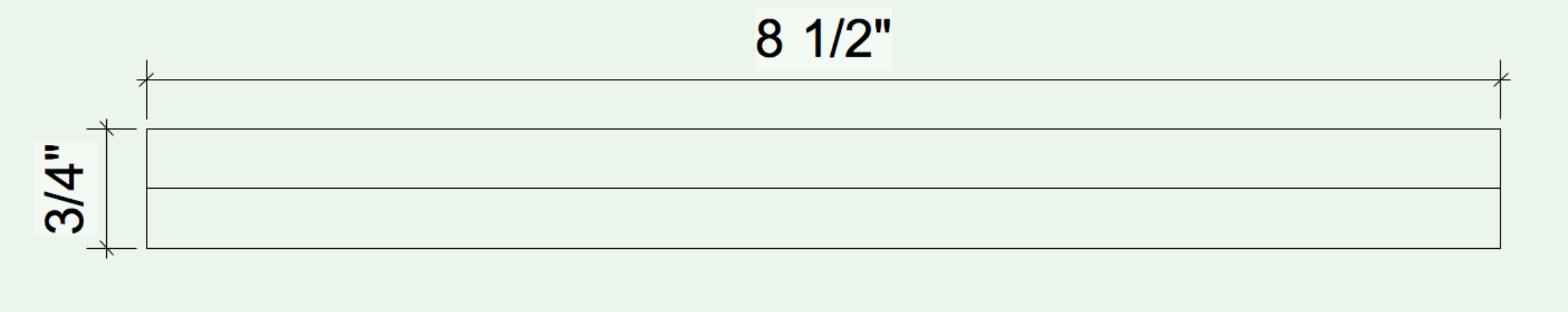
Project	FA4740 Transducer Theory	
Drawing	Drafting - Top Piece - Isometric View	
Design	Ignis Series 1	Designer Jonathan Moths
Drafted by Jonathan Moths	Date Drawn 5/3/13	Revision # 2
Construction Date 2013	Scale NA	Drawing # 13 of 20
School	Michigan Technological University	



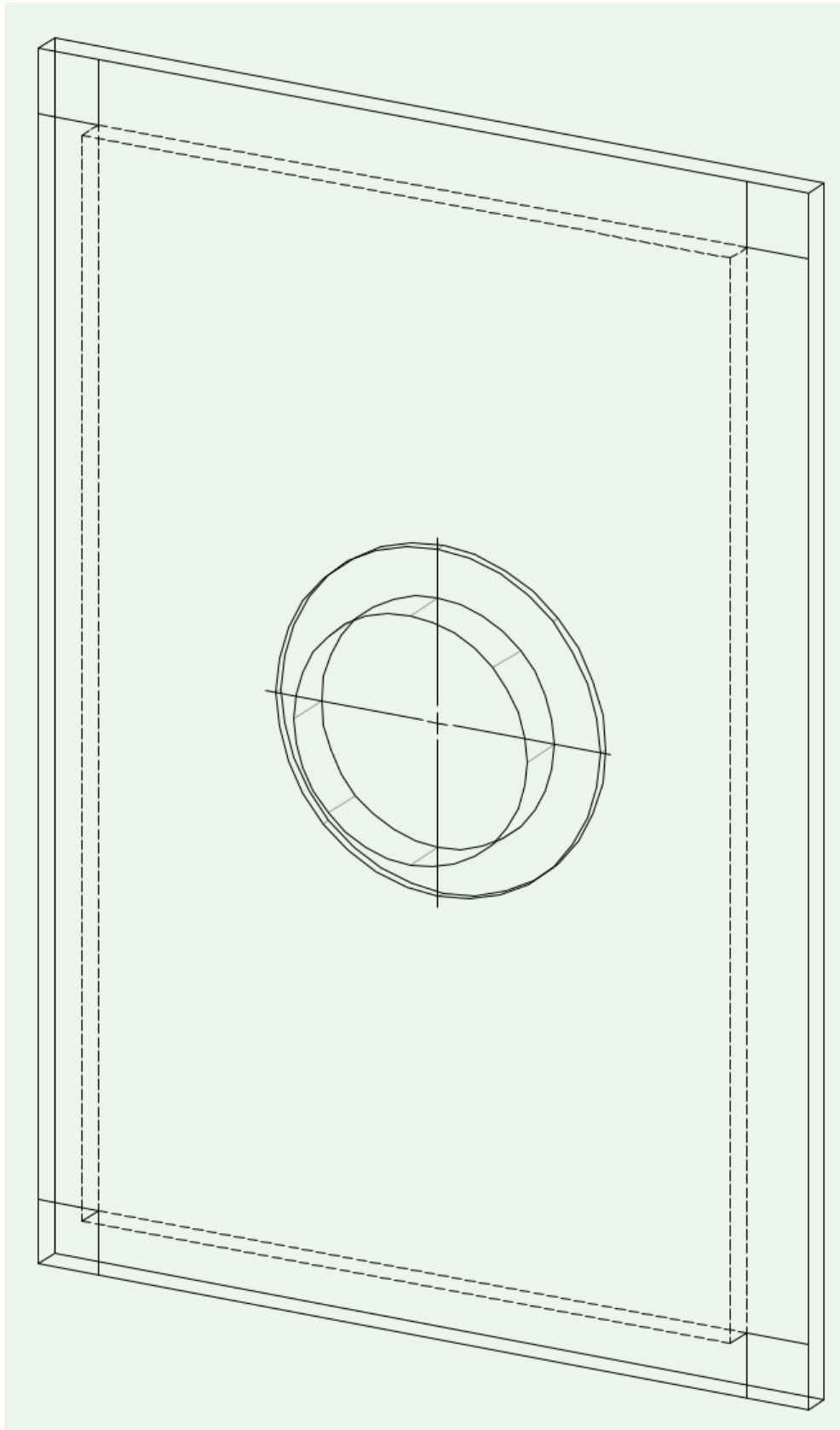
Project	FA4740 Transducer Theory	
Drawing	Drafting - Top Piece - Top View	
Design	Ignis Series 1	Designer Jonathan Moths
Drafted by Jonathan Moths	Date Drawn 5/3/13	Revision # 2
Construction Date 2013	Scale NA	Drawing # 14 of 20
School	Michigan Technological University	



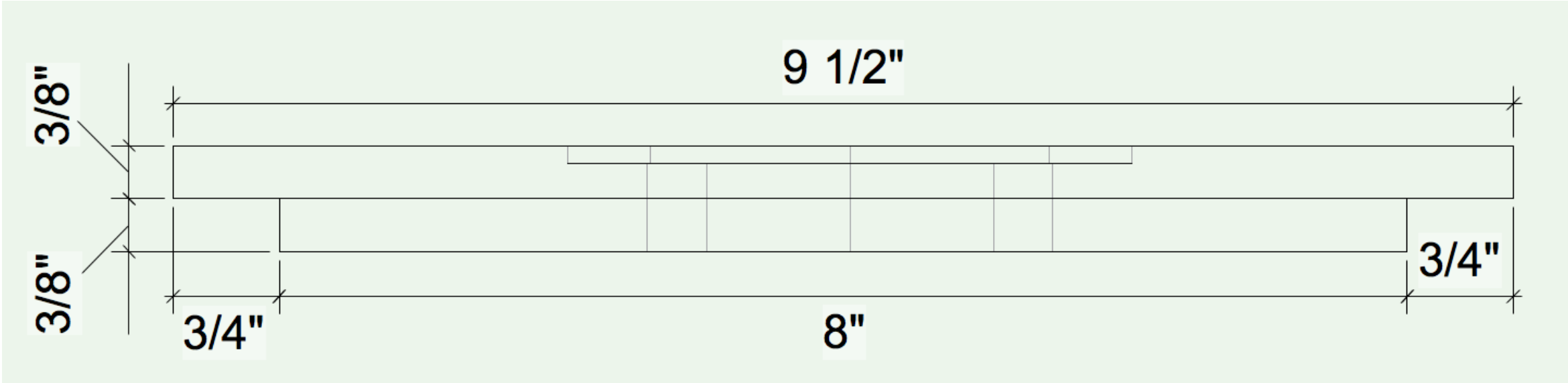
Project	FA4740 Transducer Theory	
Drawing	Drafting - Top Piece - Front View	
Design	Ignis Series 1	Designer Jonathan Moths
Drafted by Jonathan Moths	Date Drawn 5/3/13	Revision # 2
Construction Date 2013	Scale NA	Drawing # 15 of 20
School	Michigan Technological University	



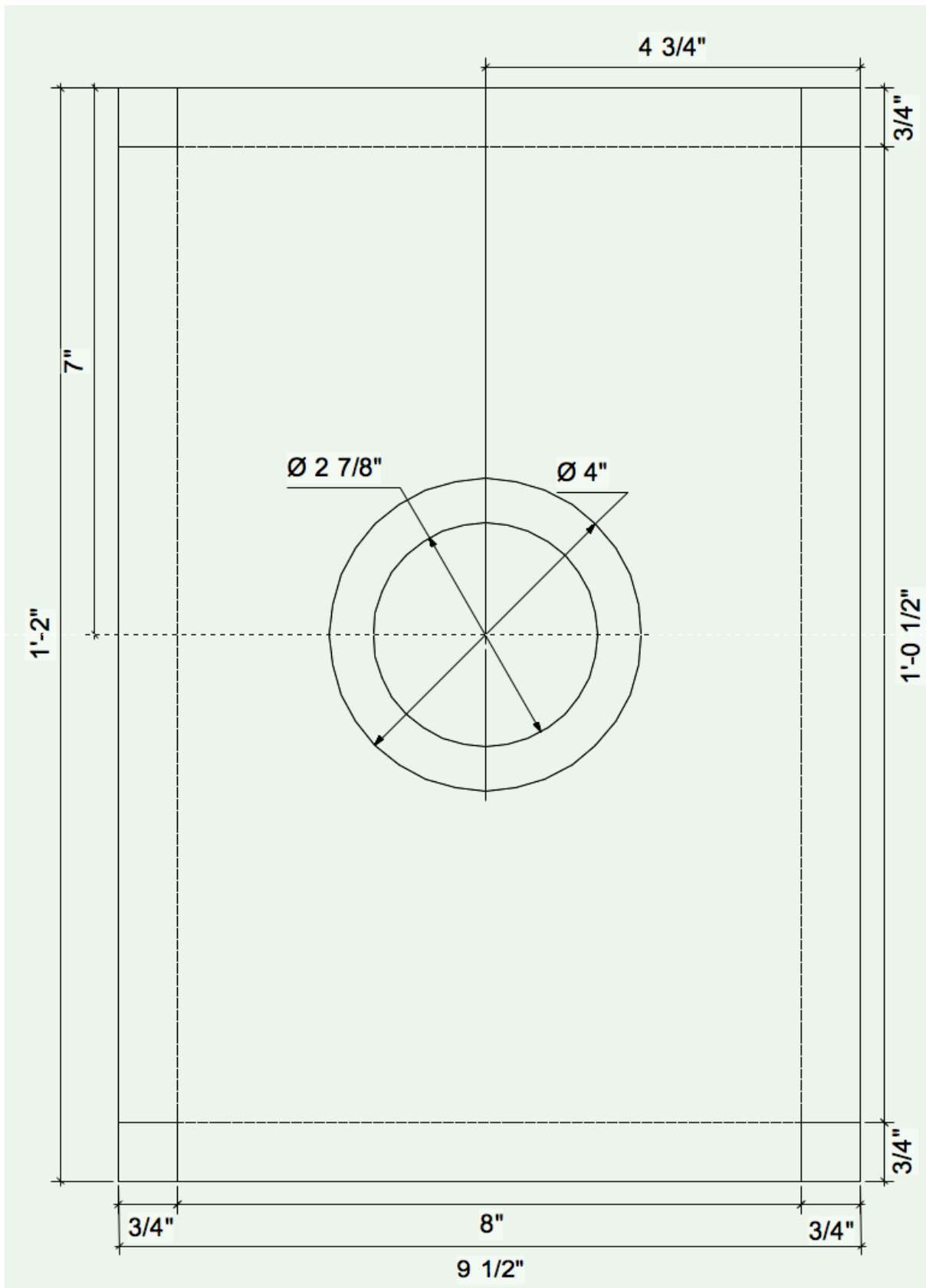
Project	FA4740 Transducer Theory	
Drawing	Drafting - Top Piece - Side View	
Design	Ignis Series 1	Designer Jonathan Moths
Drafted by Jonathan Moths	Date Drawn 5/3/13	Revision # 2
Construction Date 2013	Scale NA	Drawing # 16 of 20
School	Michigan Technological University	



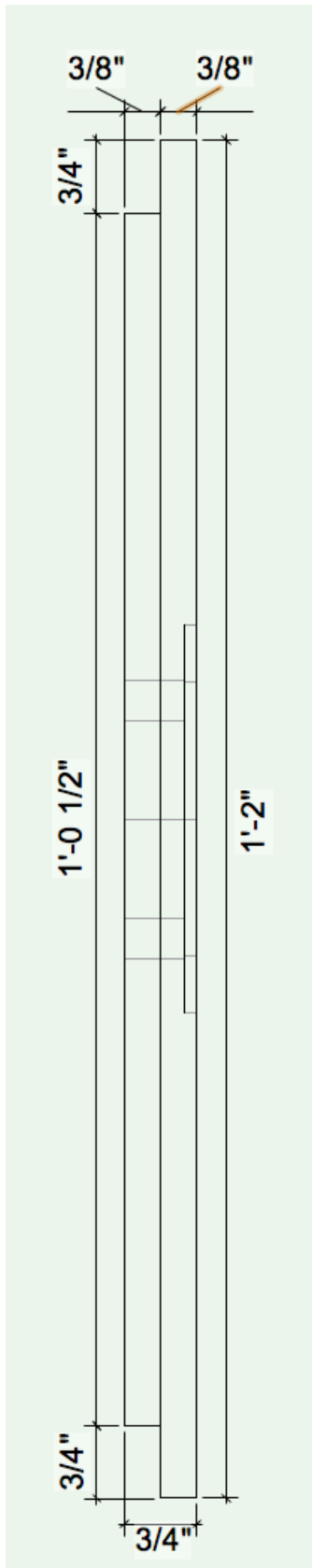
Project	FA4740 Transducer Theory	
Drawing	Drafting - Back Piece - Isometric View	
Design	Ignis Series 1	Designer Jonathan Moths
Drafted by Jonathan Moths	Date Drawn 5/3/13	Revision # 2
Construction Date 2013	Scale NA	Drawing # 17 of 20
School	Michigan Technological University	



Project	FA4740 Transducer Theory	
Drawing	Drafting - Back Piece - Top View	
Design	Ignis Series 1	Designer Jonathan Moths
Drafted by Jonathan Moths	Date Drawn 5/3/13	Revision # 2
Construction Date 2013	Scale NA	Drawing # 18 of 20
School	Michigan Technological University	



Project	FA4740 Transducer Theory	
Drawing	Drafting - Back Piece - Front View	
Design	Ignis Series 1	Designer Jonathan Moths
Drafted by Jonathan Moths	Date Drawn 5/3/13	Revision # 2
Construction Date 2013	Scale NA	Drawing # 19 of 20
School	Michigan Technological University	



Project	FA4740 Transducer Theory	
Drawing	Drafting - Back Piece - Side View	
Design	Ignis Series 1	Designer Jonathan Moths
Drafted by Jonathan Moths	Date Drawn 5/3/13	Revision # 2
Construction Date 2013	Scale NA	Drawing # 20 of 20
School	Michigan Technological University	